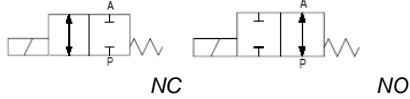


Media: air – water – oil - fluid  
 Pressure range: 0 to 20 Bar max  
 Media temperature: -20°C to +100°C  
 Ambient temperature: -10°C to +50°C  
 Media viscosity: 500 centistokes max  
 Mounting: any position  
 Opening Closing time: 25 – 130mSec



# 2/2 Brass & Stainless

1/4 – 1/12" COAXIAL  
 N/CLOSED & N/OPEN  
 2 WAY DIRECT ACTING  
 0 - 20 Bar  
 TYPE 269



## PRESSURE

Port BSP	Ø Orifice (mm)	Flow Kv m³/hr	Pressure Rating (Bar) ΔP		Body Material	Part Number	
			Min	Max			
				P→A			A→P
1/4, 3/8, 1/2, (3/4*)	10	2.5	0	20	16	Brass	269A10MOG + port + voltage
3/8, 1/2, 3/4, (1*)	15	5.2	0	20	16	Brass	269A15MOG + port + voltage
1/2, 3/4, 1, (1 1/4*)	20	7.0	0	20	16	Brass	269A20MOG + port + voltage
3/4, 1, 1 1/4, (1 1/2*)	25	12.3	0	20	16	Brass	269A25MOG + port + voltage
1, 1 1/4, 1 1/2	32	20.0	0	20	16	Brass	269A32MOG + port + voltage
1/4, 3/8, 1/2, (3/4*)	10	2.5	0	20	16	AISI303	269A10V2G + port + voltage

## OPTIONS

Normally Open version (269B) DN10 £32.83, DN15 £48.59, DN20 £53.85, DN25 £65.67, DN32 £80.11  
 Mounting Brackets: DN10 £27.57, DN15 £31.52, DN20 £40.71, DN25 £48.59, DN32 £85.37  
 (\*) Special connection DN10 +£26.27, DN15 +£31.52, DN20 + DN25 +£39.40  
 Special options – Plug with LED or PWM power saving

<= See  
 <= See  
 <=See  
 TBA

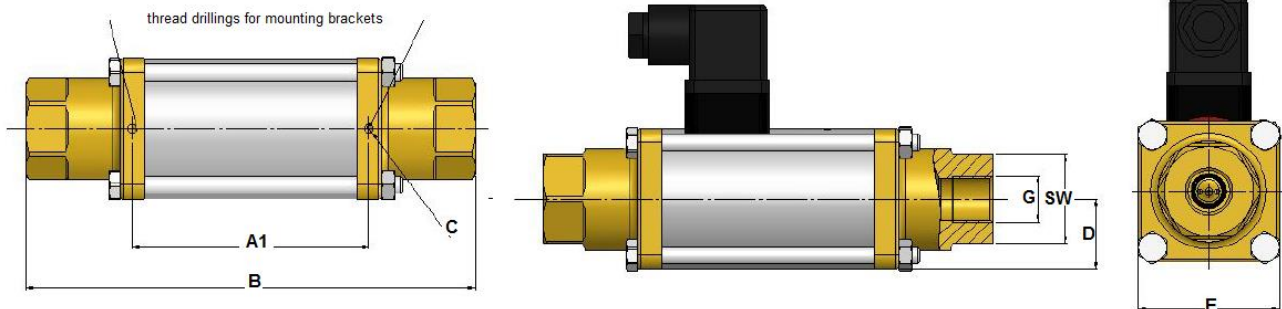
## ELECTRICAL DATA

Voltage (-10% + 10%) Continuous duty 100%		Power Consumption (Watts)					Insulation class	Enclosure	Electrical connections
		Ø 10	Ø 15	Ø 20	Ø 25	Ø 32			
~	230vAC (Connector with rectifier)	29	32	42	60	76	F 155°C	IP 65 with connector	3 spades DIN 43650 DIN 40050 VDE 0110
=	24vDC	25	30	34	51	73			

## CONSTRUCTION

Body: Brass MS058 (MO version), Thread BSP  
 Tube and internal parts: Stainless steel  
 Seals: Static FKM, Dynamic PTFE, Seat FKM

## OVERALL DIMENSIONS



DN	G	SW	A1	B	C	D	E	Kg
10	1/4 3/8 1/2 (3/4*)	32	84	159.5	M4	25	50	1.7
15	3/8 1/2 3/4 (1*)	41	100	184	M5	35	70	3.6
20	1/2 3/4 1 (1 1/4*)	46	108	215	M5	40	80	5.4
25	3/4 1 1 1/4 (1 1/2*)	55	121	246	M5	45	90	7.1
32	1 1 1/4 1 1/2	60	122	269	M6	57.5	115	12.6