

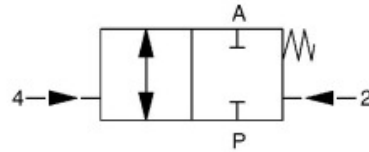
Coax-valve.com

2/2-way coaxial valve

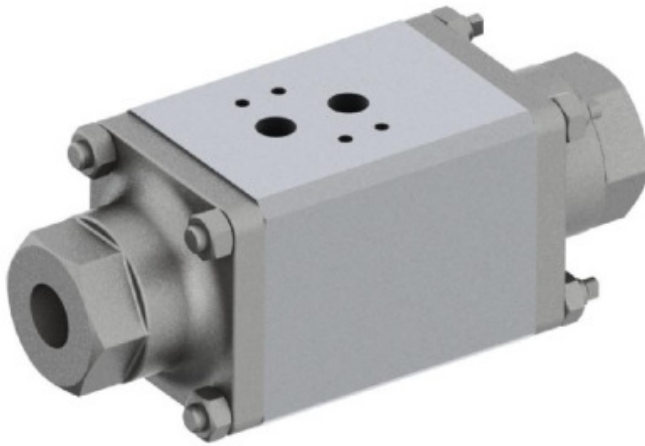
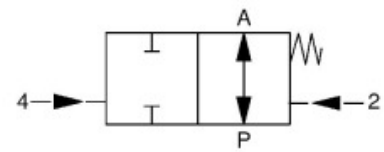
Type 283

externally controlled

function A: NC (normally closed)



function B: NO (normally open)



| | |
|-------------------------|---|
| diameter | DN 15 |
| pressure range | 0 – max. 200bar backpressure leakproof up to max. 16bar |
| body material | brass, AISI 303, AISI 316 |
| seal material | static: FKM dynamic: PTFE seat seal: PTFE |
| temperature | media: -10 up to +100 °C ambient: -10 up to +50 °C |
| connection | G3/8 – G3/4 |
| flow direction | P → A max. 200bar A → P max. 16bar |
| actuating part | double acting piston with return spring |
| control pressure | 3 – 8bar connections 2+4 (G1/4) port according to NAMUR an upstreamed service unit extends the lifetime of the valves |
| switching time | opening / closing 50 – 1000ms depending on operating pressure, pilot valve (option) and exhaust air throttle (option) |
| mounting | in any position |

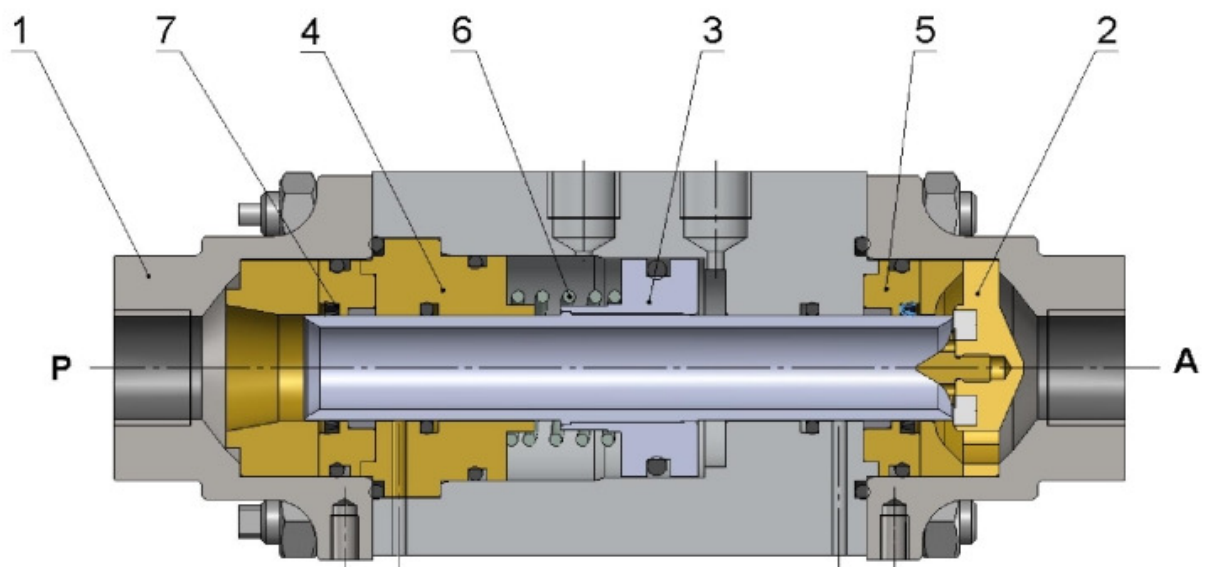
Coax-valve.com

2/2-way coaxial valve

Type 283

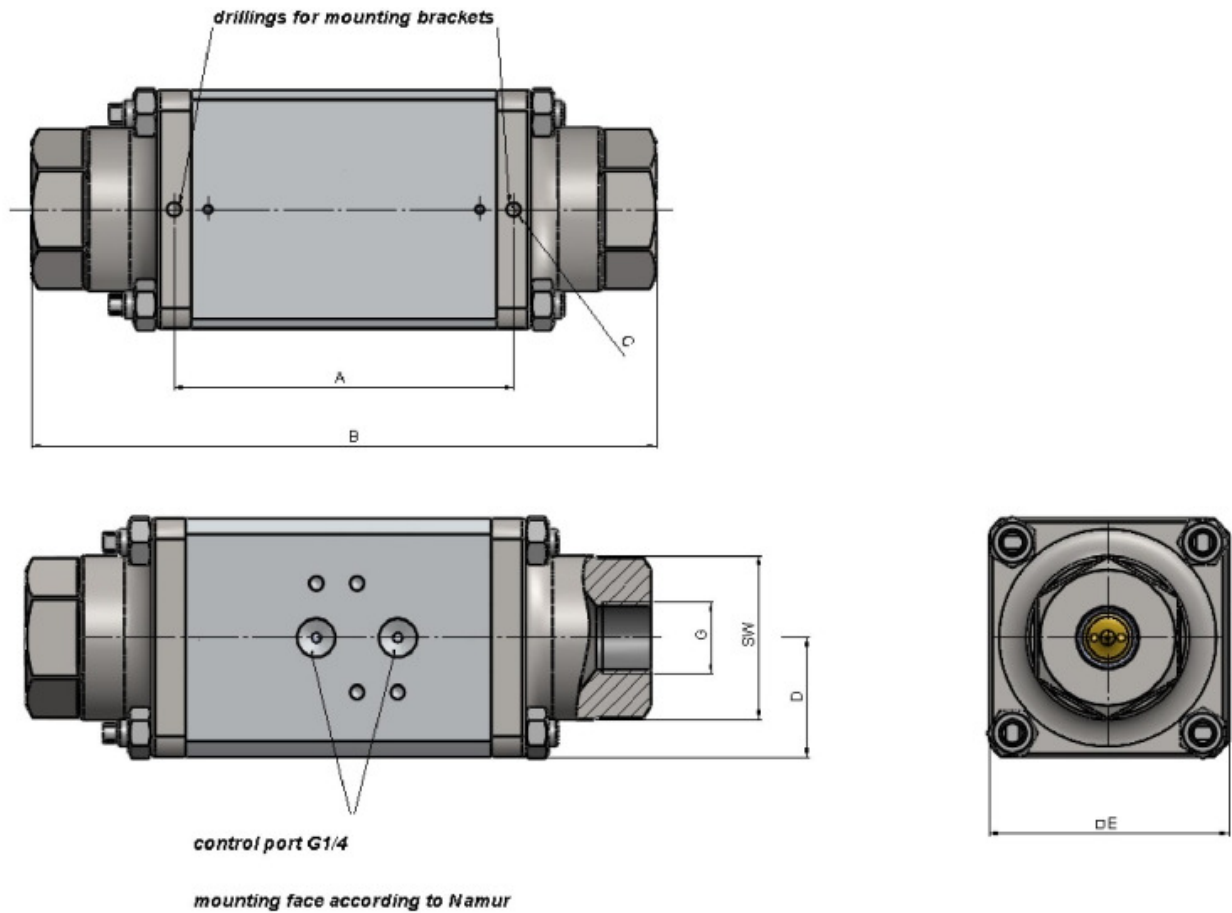
| DN [mm] | pressure range [bar] | connection | flow rate [m ³ /h] | weight [kg] |
|------------|-------------------------|------------------|----------------------------------|----------------|
| 15 | 0 – 200 | G3/8, G1/2, G3/4 | 7,2 | 3,2 |

sectional drawing



| pos. | quantity | description |
|------|----------|-----------------------|
| 1 | 2 | adapter fitting |
| 2 | 1 | valve seat |
| 3 | 1 | piston / control tube |
| 4 | 1 | actuating plate |
| 5 | 2 | guiding disk |
| 6 | 1 | spring |
| 7 | 2 | PTFE-rod seal |

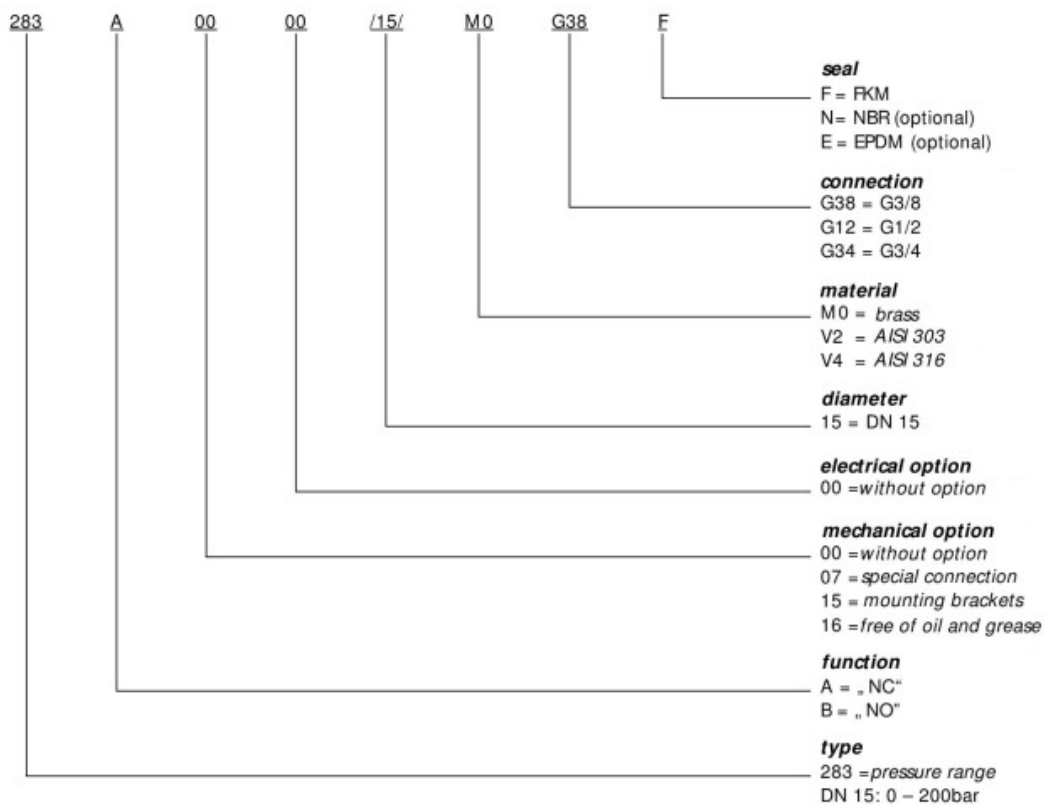
dimension drawing



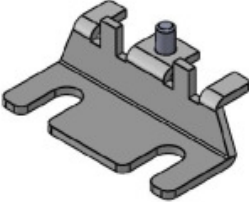
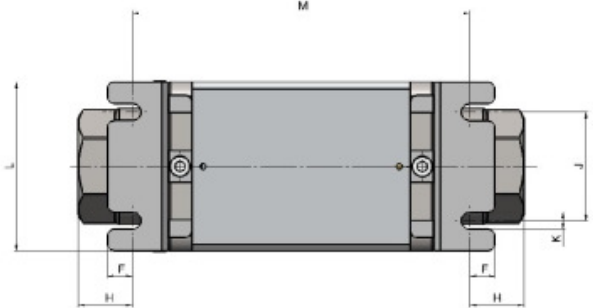


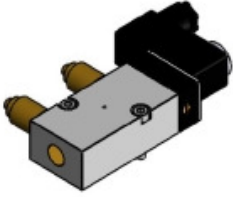
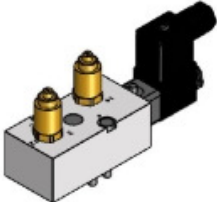
| DN [mm] | G | SW | A [mm] | B [mm] | C | D [mm] | E [mm] |
|------------|---------------|----|-----------|-----------|----|-----------|-----------|
| 15 | 3/8, 1/2, 3/4 | 50 | 100 | 184 | M5 | 35 | 70 |

type code

structure of the order specification:



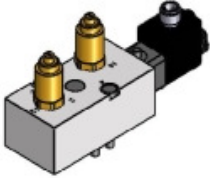

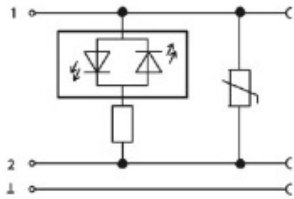



accessories

|  | <p>mounting brackets mechanical option = 15</p> |  <table border="1" data-bbox="820 779 1430 880"> <thead> <tr> <th>DN</th> <th>F</th> <th>H</th> <th>J</th> <th>K</th> <th>L</th> <th>M</th> </tr> <tr> <th>[mm]</th> <th>[mm]</th> <th>[mm]</th> <th>[mm]</th> <th>[mm]</th> <th>[mm]</th> <th>[mm]</th> </tr> </thead> <tbody> <tr> <td>15</td> <td>10,5</td> <td>22</td> <td>45</td> <td>7</td> <td>70</td> <td>139</td> </tr> </tbody> </table> | DN | F | H | J | K | L | M | [mm] | [mm] | [mm] | [mm] | [mm] | [mm] | [mm] | 15 | 10,5 | 22 | 45 | 7 | 70 | 139 |
|---|---|--|------|------|------|------|---|---|---|------|------|------|------|------|------|------|----|------|----|----|---|----|-----|
| DN | F | H | J | K | L | M | | | | | | | | | | | | | | | | | |
| [mm] | [mm] | [mm] | [mm] | [mm] | [mm] | [mm] | | | | | | | | | | | | | | | | | |
| 15 | 10,5 | 22 | 45 | 7 | 70 | 139 | | | | | | | | | | | | | | | | | |
|  | <p>exhaust air throttle G1/8 G1/4</p> | | | | | | | | | | | | | | | | | | | | | | |
|  | <p>silencer of sinter bronze casting G1/8 G1/4</p> | | | | | | | | | | | | | | | | | | | | | | |
|  | <p>5/2-way pilot valve (NAMUR) to flange connections laterally 24V DC 230V 50Hz</p> | | | | | | | | | | | | | | | | | | | | | | |
|  | <p>5/2-way pilot valve (NAMUR) to flange connections above 24V DC 230V 50Hz</p> | | | | | | | | | | | | | | | | | | | | | | |

Coax-valve.com

2/2-way coaxial valve

Type 283

| | | |
|---|--|---|
|  | <p>Magnet M12x1 <i>5/2-way pilot valve (NAMUR) to flange</i> <i>connections above solenoid M12 x 1</i></p> <p>24V DC 230V 50Hz</p> | |
|  | <p><i>plug with LED</i></p> <p><i>electrical option = 20</i></p> |  |
|  | <p>24V DC</p> <p><i>plug with power reduction form A</i></p> <p><i>electrical option = 07</i></p> |  |
|  | <p><i>explosion proof</i></p> <p>II 2G Ex m II T4 II 3D IP65 T130 °C</p> <p><i>electrical option = 13</i></p> | |

We gladly coordinate further options and accessories according to your requirements.