

Symbol

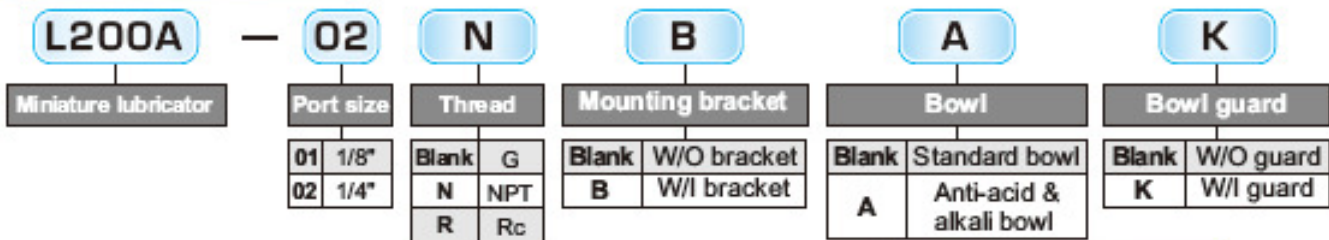


Features

- * Compact size with effective air service.
- * Oil spray in mist ensures good lubrication for machines.



How to order

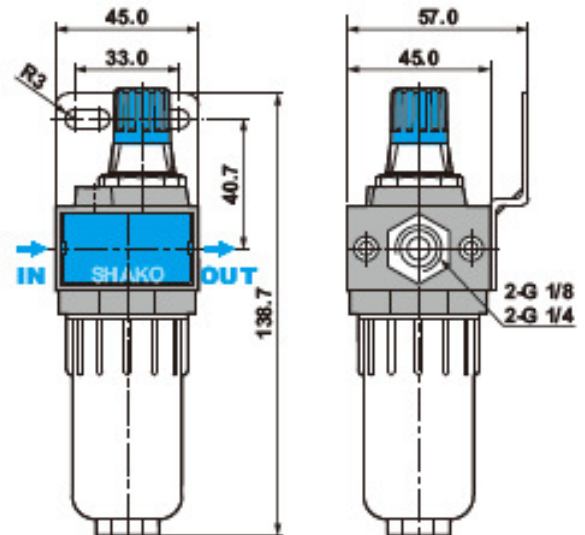


Specifications

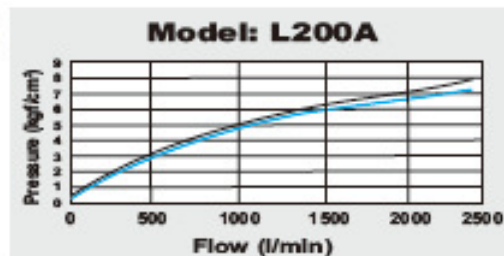
Model	L200A-01	L200A-02
Port size	1/8"	1/4"
Fluid	Compressed air	
Body material	Polycarbonate	
Bowl material	Polycarbonate (Standard)	
Operating pressure range	0.5 ~ 10 kgf/cm ²	
Proof pressure	12 kgf/cm ²	
Max. flow rate l/min (ANR)	2449	
Ambient temperature	-10°C ~ 60°C	
Lubricator oil (Recommended)	ISO-VG32	
Lubricator bowl capacity	50cc	
Net weight	165g	

Dimensions

L200A-01, 02



Flow chart



Note:

- X axis: Flow (l/min)
- Y axis: Pressure (kgf/cm²)
- Blue line (P0) = Outlet pressure
- Black line (P1) = Inlet pressure
- P1-P0 = Pressure range