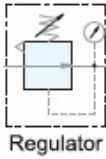


# SHAKO REGULATOR

## Symbol



## Features

- \* Accurate and easy pressure setting.
- \* Panel mounting is available.

## How to order

<b>UR</b>	-	<b>02</b>		<b>N</b>
Regulator		Port size		Thread
		02 1/4"	06 3/4"	Blank G
		03 3/8"	08 1"	N NPT
		04 1/2"		R Rc

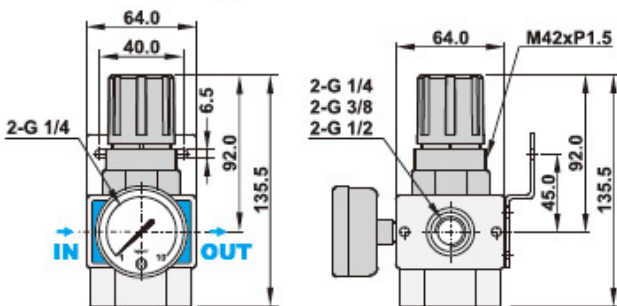


## Specifications

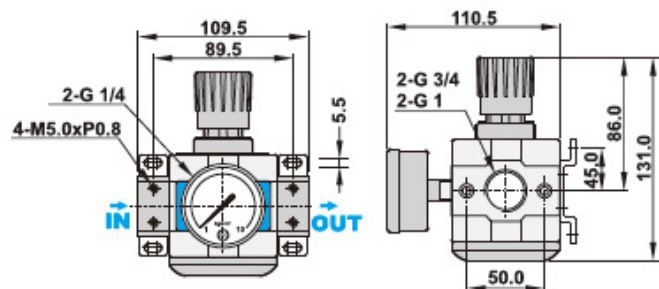
Model	UR-02	UR-03	UR-04	UR-06	UR-08
Port size	1/4"	3/8"	1/2"	3/4"	1"
Fluid	Compressed air				
Regulator construction	Piston				
Body material	Aluminum die-cast				
Operating pressure range	0.5 ~ 10 kgf/cm <sup>2</sup>				
Proof pressure	15 kgf/cm <sup>2</sup>				
Max. flow rate l/min (ANR)	2100	2130	2750	8000	8500
Ambient temperature	-10°C ~ 60°C				
Net weight	740g	730g	720g	1250g	1240g
Accessories	Pressure gauge, Mounting bracket, Plug, Screw x 4				

## Dimensions

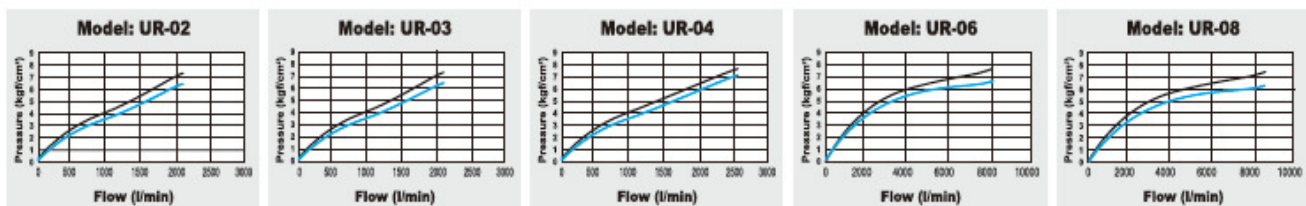
### UR-02, 03, 04



### UR-06, 08



## Flow chart



**Note:** X axis: Flow, Y axis: Pressure, Blue line (P0) = Outlet pressure, Black line (P1) = Inlet pressure, P1-P0= Pressure range