

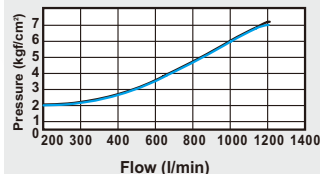
Features

- * Suitable for flammable working environments.
- * The valve is actuated by air for accurate response.

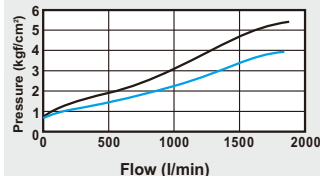


Flow chart

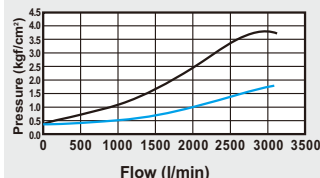
Model: SK320-01S/02S



Model: SK320-03S



Model: SK320-04S



How to order

SK320

N

02

N

S

SK Pneumatic valves series

Acting style

Port size

Thread

Pneumatic control

32 3/2 way

Blank Normally closed
N Normally open

01 1/8"
02 1/4"
03 3/8"
04 1/2"

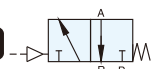
Blank G
N NPT
R Rc

S Single pneumatic

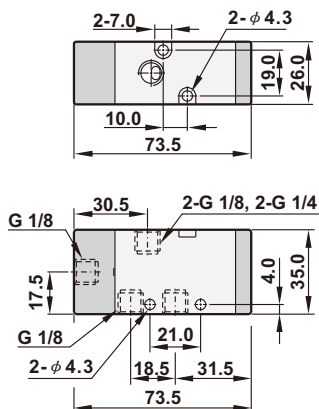
Specifications

Model	SK320-01S	SK320-02S	SK320-03S	SK320-04S
Port size	1/8"	1/4"	3/8"	1/2"
Body material	Aluminum alloy			
Effective area	14mm ²	18mm ²	35mm ²	70mm ²
Fluid	Compressed air			
Acting	External pilot (1.5 ~ 7 kgf/cm ²)			
Operating pressure range	0 ~ 8 kgf/cm ²			
Proof pressure	9.9 kgf/cm ²			
Ambient temperature	-10°C ~ 80°C			
Net weight	180g		375g	595g

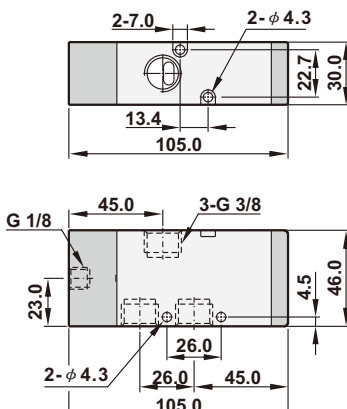
Dimensions



SK320-01S/02S



SK320-03S



SK320-04S

