

Features

- * Suitable for flammable working environments.
- * The valve is actuated by air for accurate response.



How to order

SK520

SA pneumatic valves series

52	5/2 way
53	5/3 way valve is only available for double pneumatic control

X

Acting style

Blank	Standard
X	5/3 way
Y	Exhaust center
	Pressurized center

01

Port size

01	1/8"
02	1/4"
03	3/8"
04	1/2"

N

Thread

Blank	G
N	NPT
R	Rc

S

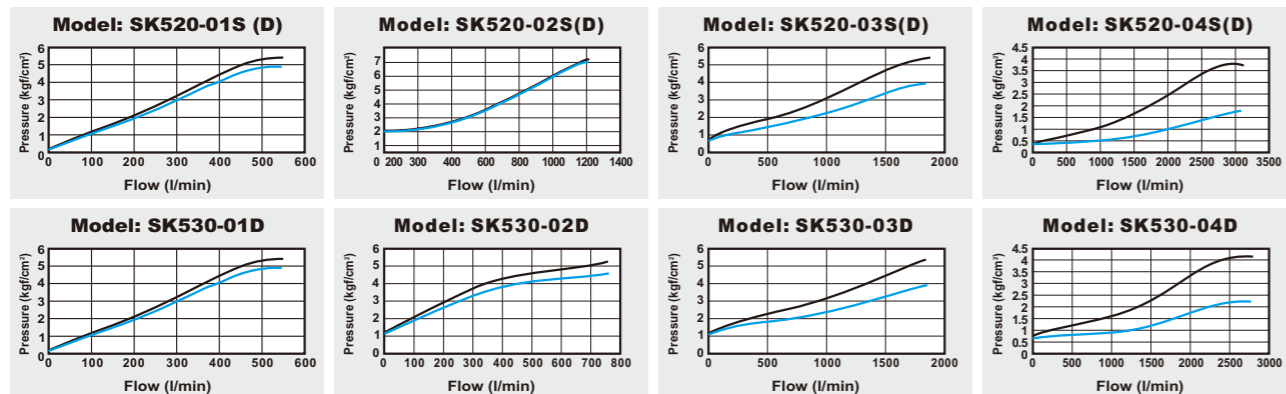
Pneumatic control

S	Single pneumatic
D	Double pneumatic

Specifications

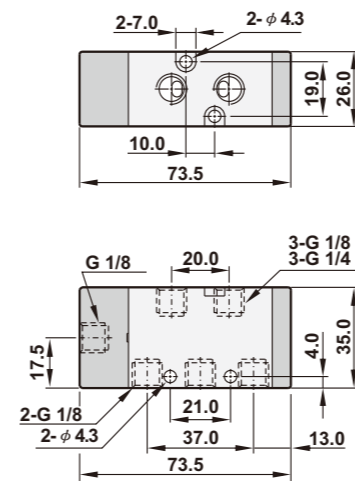
Model	SK520-01S(D)	SK530-01D	SK520-02S(D)	SK530-02D	SK520-03S(D)	SK530-03D	SK520-04S(D)	SK530-04D
Port size	1/8"	1/4"	1/4"	1/4"	3/8"	3/8"	1/2"	1/2"
Body material	Aluminum alloy							
Fluid	Compressed air							
Effective area	18mm ²	14mm ²	18mm ²	14mm ²	35mm ²	32mm ²	70mm ²	54mm ²
Acting	External pilot (1.5 ~ 7 kgf/cm ²)							
Operating pressure range	0~8kgf/cm ²	0~8kgf/cm ²	0~8kgf/cm ²	0~8kgf/cm ²	0~8kgf/cm ²	0~8kgf/cm ²	0~8kgf/cm ²	0~8kgf/cm ²
Proof pressure	9.9 kgf/cm ²							
Ambient temperature	-10°C ~ 80°C							
Net weight	170g/180g	310g	170g/180g	310g	370g/400g	585g	565g/605g	865g

Flow chart

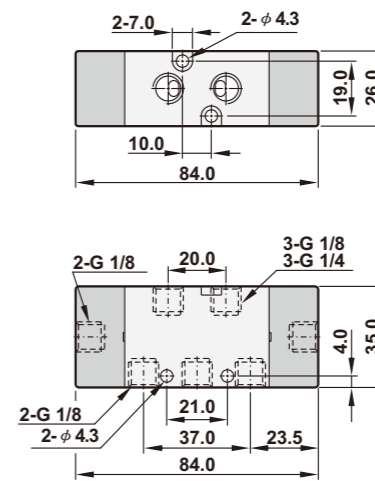


Dimensions

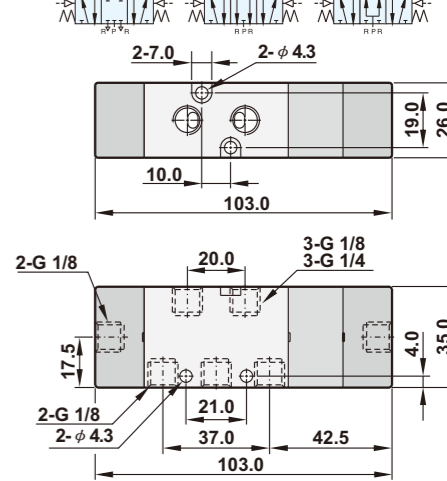
SK520-01S/02S



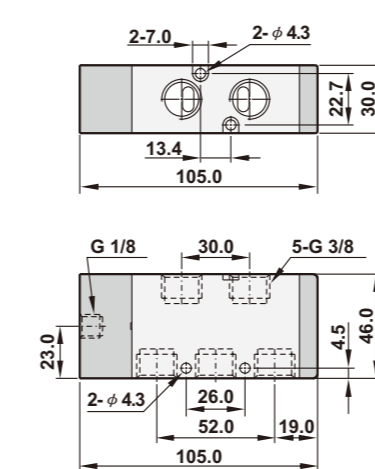
SK520-01D/02D



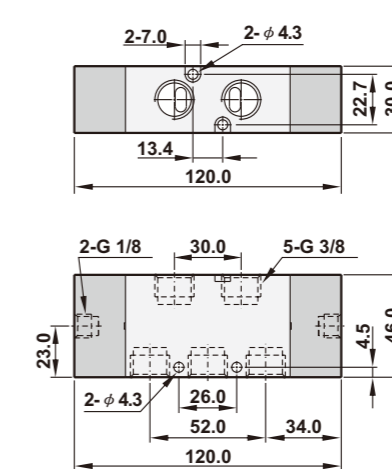
SK530(X)(Y)-01D/02D



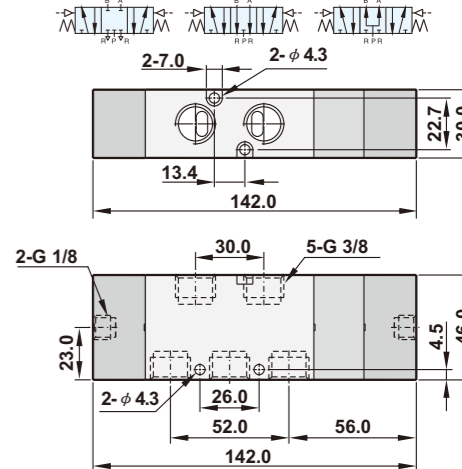
SK520-03S



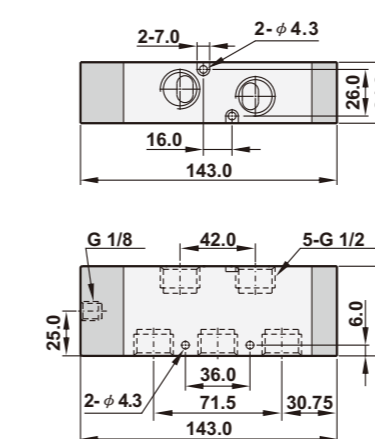
SK520-03D



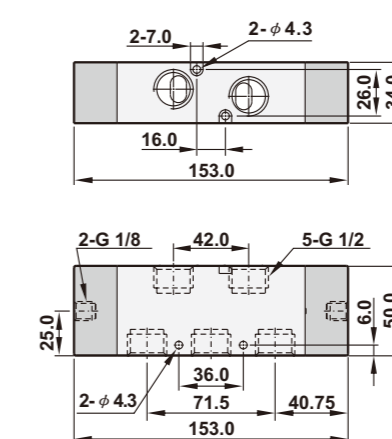
SK530(X)(Y)-03D



SK520-04S



SK520-04D



SK530(X)(Y)-04D

