

### Features

- \* Medium size, 22mm width solenoid valve, large flow rate.
- \* Lockable manual override for easy operation.
- \* Anodized aluminum body and strict quality control provide a long durability.
- \* Coil nut is available, please refer to page 7-4.
- \* Ex-proof coil is available, please refer to page 7-8.



### How to order

<b>BM520</b>	<b>X</b>	<b>02</b>	<b>N</b>	<b>S</b>	<b>2</b>	<b>LED</b>	<b>E1</b>
BM series	Acting style	Port size	Thread	Solenoid	Voltage	LED	Coil type
520 5/2 way 530 5/3 way	Blank Standard X Exhaust center Y Pressurized center	02 1/4" 03 3/8" 04 1/2"	Blank G N NPT R Rc	S Single solenoid D Double solenoid	1 110VAC 2 220VAC 6 24VAC 7 12VDC 9 24VDC	Blank (W/O LED)	Blank DIN F Lead wire E1 EX-proof 22mm width E2 EX-proof 30mm width E3 EX-proof CSA standard

### How to order manifold

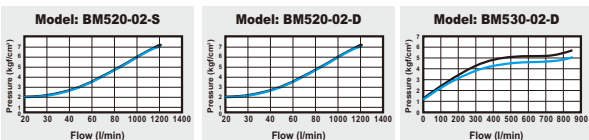
<b>MFB520</b>	<b>02</b>	<b>N</b>	<b>02</b>
22mm valves series	Port size	Thread	Stations
	02 1/4" 03 3/8" 04 1/2"	Blank G N NPT R Rc	02 2 stations 03 3 stations XX XX stations

### Specifications

Model	BM520-02-S(D)	BM530-02-D	BM520-03-S(D)	BM530-03-D	BM520-04-S(D)	BM530-04-D
Port size	1/4", 1/8" (Exhaust ports)		3/8", 1/4" (Exhaust ports)		1/2"	
Body material	Aluminum alloy					
Fluid	Compressed air					
Acting	Internal pilot					
Effective area	18mm <sup>2</sup>	14mm <sup>2</sup>	30mm <sup>2</sup>	18mm <sup>2</sup>	50mm <sup>2</sup>	30mm <sup>2</sup>
Operating pressure range	2~8 kgf/cm <sup>2</sup>					
Proof pressure	9.9 kgf/cm <sup>2</sup>					
Ambient temperature	-10℃ ~ 50℃					
Duty cycle	100% ED					
Coil type	DIN (Standard)					
Protection class	IP65 (DIN 40 050)					
Insulation class	F					
Voltage tolerance	±10%					
Standard voltage	220VAC, 110VAC, 24VDC (The other voltage is optional)					
Net weight	235g(335g)	445g	410g(500g)	700g	590g(720g)	770g

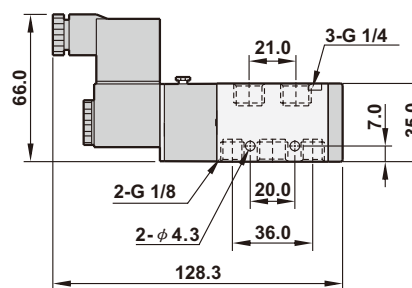
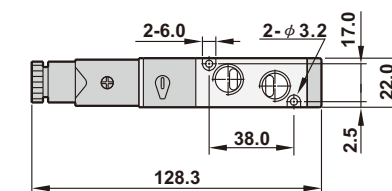
\* Please refer to page P7-8 for the details of ex-proof coil. ▲

### Flow chart

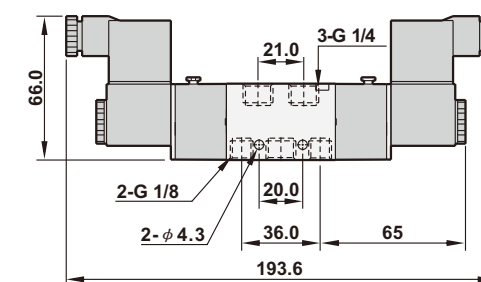
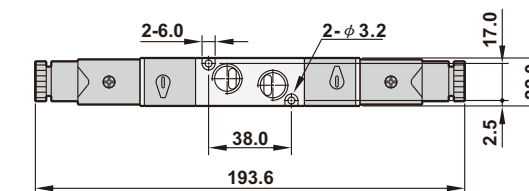


### Dimensions

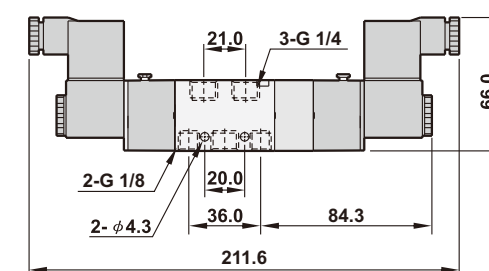
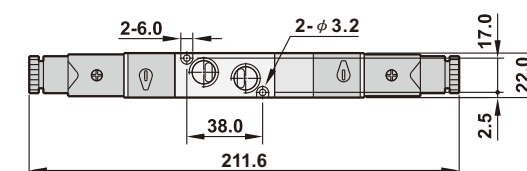
#### BM520-02-S



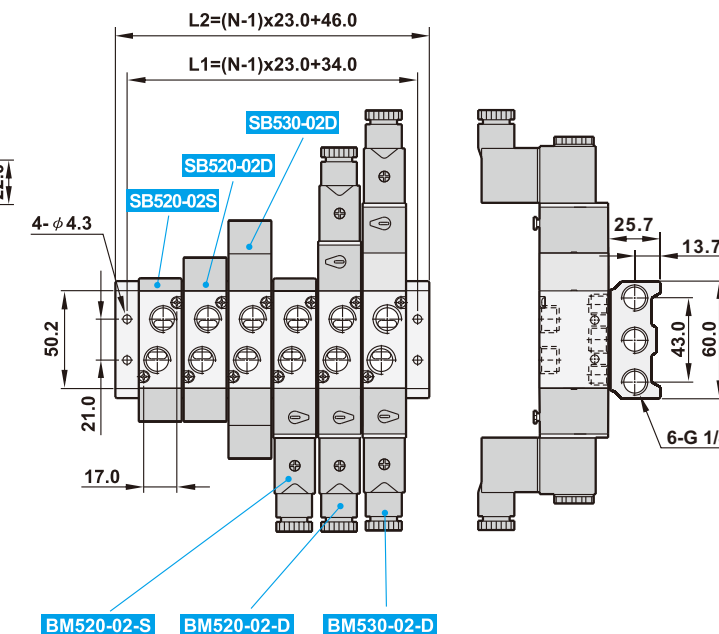
#### BM520-02-D



#### BM530(X)(Y)-02-D



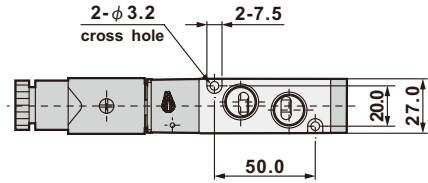
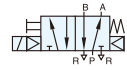
#### MFB520-0206



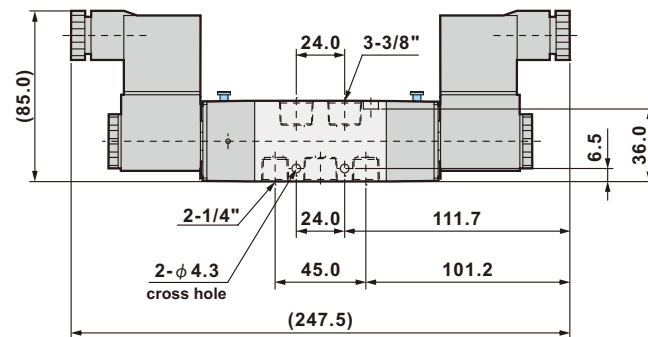
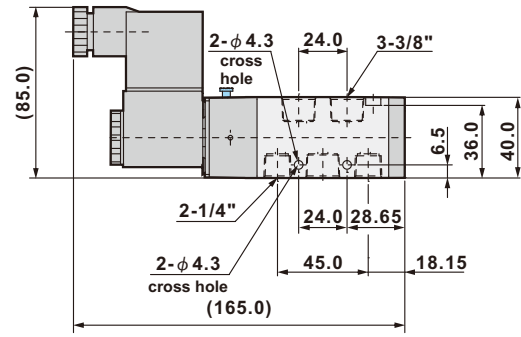
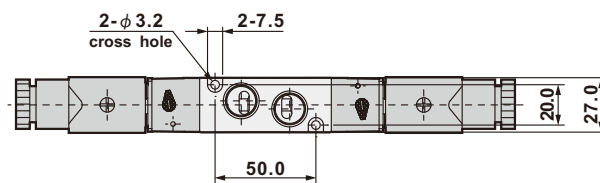
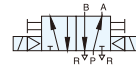
Number of station (N)	2	3	4	5	6	7	8	9	10
L1	57.0	80.0	103.0	126.0	149.0	172.0	195.0	218.0	241.0
L2	69.0	92.0	115.0	138.0	161.0	184.0	207.0	230.0	253.0

**Dimensions**

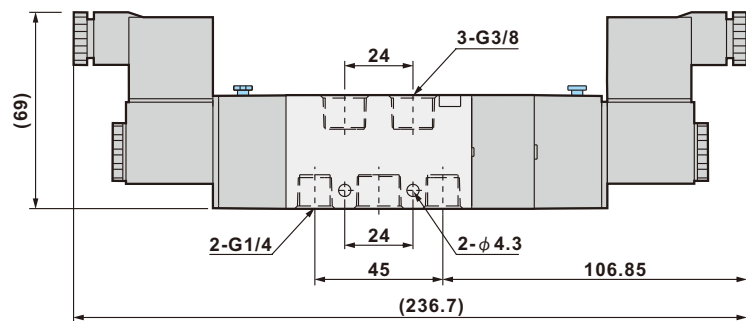
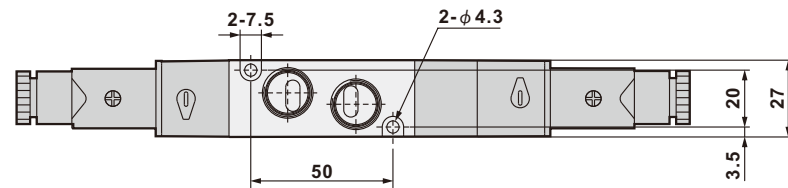
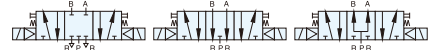
**BM520-03-S**



**BM520-03-S**

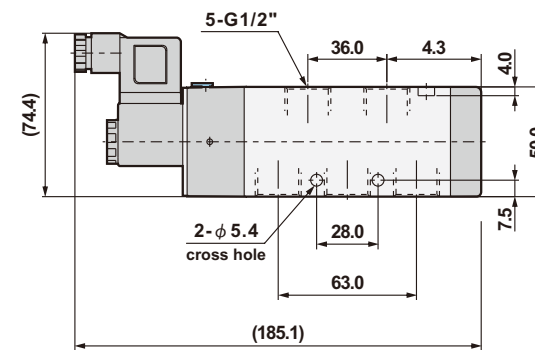
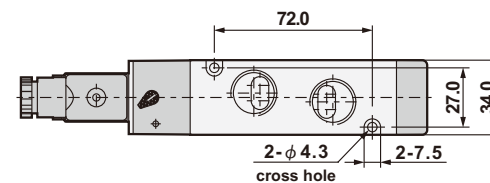


**BM530(X)(Y)-03-D**

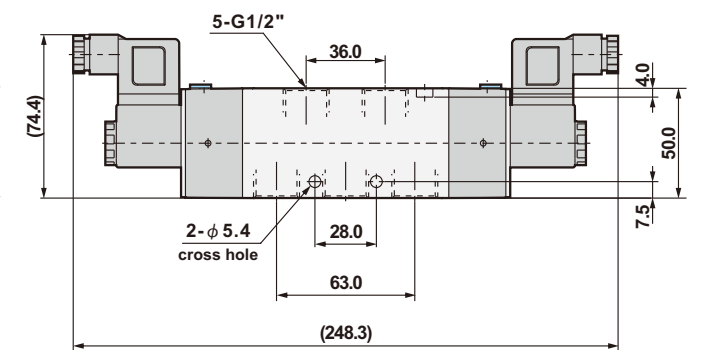
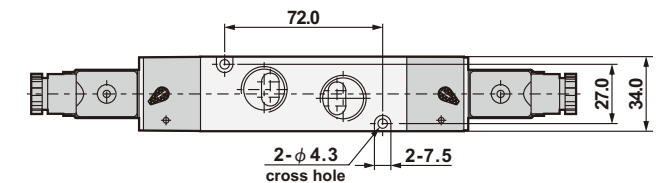
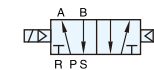


**Dimensions**

**BM520-04-S**



**BM520-04-D**



**BM530(X)(Y)-04-D**

