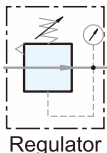


Symbol



Features

- * Accurate and easy pressure setting.
- * Panel mounting is available.



How to order

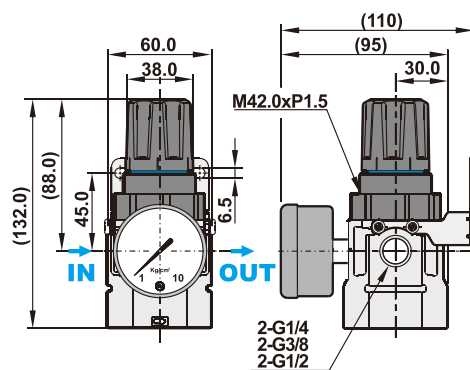
NUR	—	02		N		G
Regulator		Port size		Thread		Gauge type
		02	1/4"	Blank	G	Blank
		03	3/8"	N	NPT	Square
		04	1/2"	R	Rc	Circle

Specifications

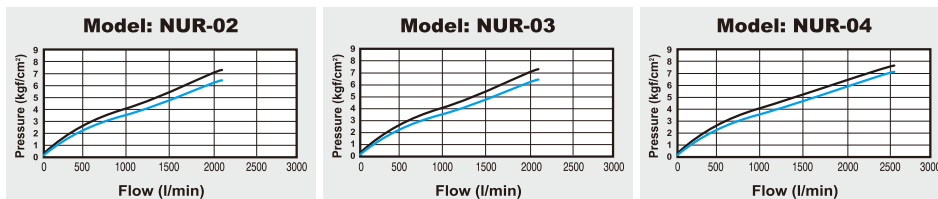
Model	NUR-02	NUR-03	NUR-04
Port size	1/4"	3/8"	1/2"
Fluid	Compressed air		
Regulator construction	Piston		
Body material	Aluminum die-cast		
Operating pressure range	0.5 ~ 10 kgf/cm ²		
Proof pressure	15 kgf/cm ²		
Max. flow rate l/min (ANR)	2100	2130	2750
Ambient temperature	-10°C ~ 60°C		
Net weight	560g	550g	540g
Accessories	Mounting bracket, Screw x 4		
Option	Mounting nut		

Dimensions

NUR-02, 03, 04



Flow chart



Note:

- X axis: Flow (l/min)
- Y axis: Pressure (kgf/cm²)
- Blue line (P0)= Outlet pressure
- Black line (P1)= Inlet pressure
- P1-P0= Pressure range