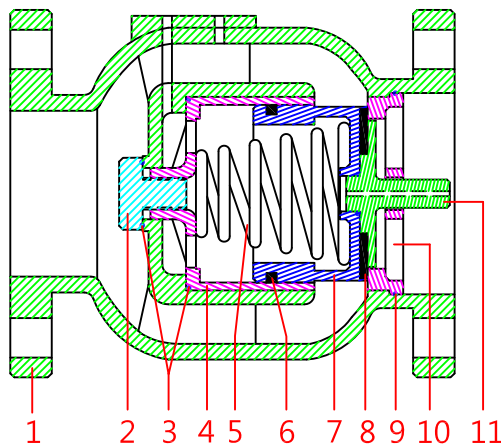
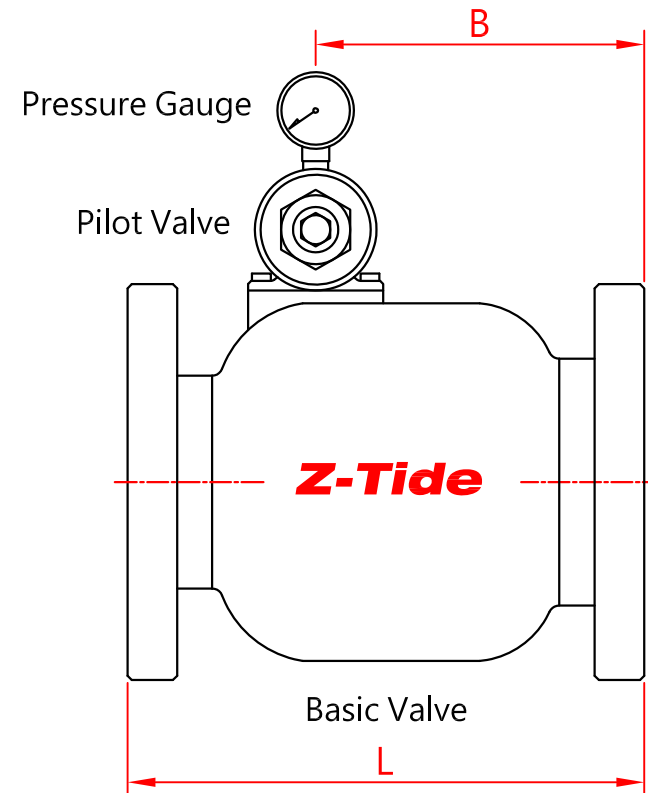
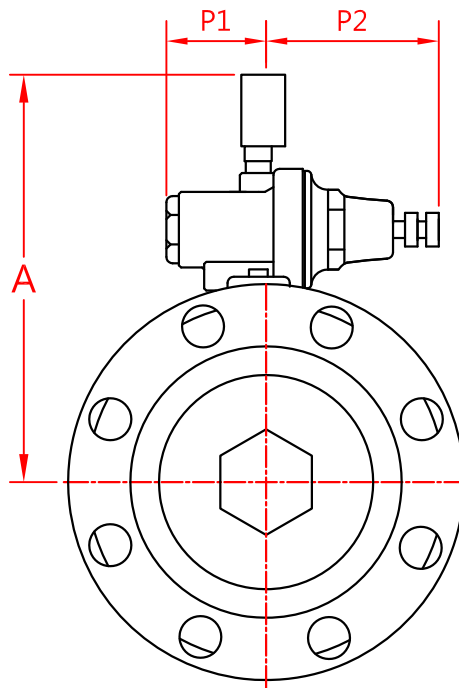


No.	Part Name	Materials
1	Adjusting Stem	Stainless Steel # 304
2	Spring Housing	Polyamide 66
3	Diaphragm Washer	Stainless Steel # 304
4	Valve Body	Stainless Steel # 304
5	Piston	Stainless Steel # 304
6	Fastening Bolt	Stainless Steel # 304
7	Shaft	Stainless Steel # 304
8	O-Ring	NBR
9	Sealing Spacer	NBR
10	Diaphragm	Nylon Rubber
11	Nut	Stainless Steel # 304
12	Spring	Stainless Steel # 304



	Part Name	Materials
1	Main Body	Stainless Steel # 304
2	Cylinder Bolt	Stainless Steel # 304
3	O-Ring	NBR
4	Cylinder	Stainless Steel # 304
5	Spring	Stainless Steel
6	U-Ring	NBR
7	Piston	Stainless Steel # 304
8	Sealing	NBR
9	O-Ring	NBR
10	Seat	Stainless Steel # 304
11	Shaft	Stainless Steel # 304

Model	Size	A	B	L	P1	P2
BFS-50	DN50	180	125	190	48	75
BFS-65	DN65	185	135	210	48	75
BFS-80	DN80	200	145	225	48	75
BFS-100	DN100	225	160	250	48	75
BFS-150	DN150	250	195	310	48	75
BFS-200	DN200	270	280	420	48	75
BFS-250	DN250	310	320	470	48	75
BFS-300	DN300	340	365	530	48	75

**Z-Tide Valves**

Pressure Sustaining Valve  
(Stainless Steel #304)  
PN16 - Pilot Control

Designed

Unit

Drwg. No

Proj. No

MM

Checked

Date

BFS-ST-EN

25.Aug.08