

Features

- ISO 1, ISO 2 solenoid valve.
- Aluminum alloy body.
- With single sub base and manifold sub-base which are identical to ISO 1 & ISO 2 standard.
- Coil nut is available, please refer to page 5-1.



How to order

PS520 F	02	N	S	2	L	E1	
5/2 Way	Sub-Base	Port size	Thread	Solenoid	Voltage	Led	Coil type
	Blank :W/O base F :W/I single sub-base M02 : 2 Valves stack M03 : 3 Valves stack Mxx :xx Valves stack	02 :1/4" (ISO 1) 03 :3/8" (ISO 2)	Blank :G N :NPT R :Rc	S :Single solenoid D :Double solenoid	1 :110VAC 2 :220VAC 6 :24VAC 7 :12VDC 9 :24VDC	Blank :W/O LED L :W/I LED	Blank :DIN F :Lead wire E1 :EX-proof 22mm width E2 :EX-proof 30mm width E3 :EX-proof CSA standard

* Please refer to page 5-10 for the details of ex-proof coil.

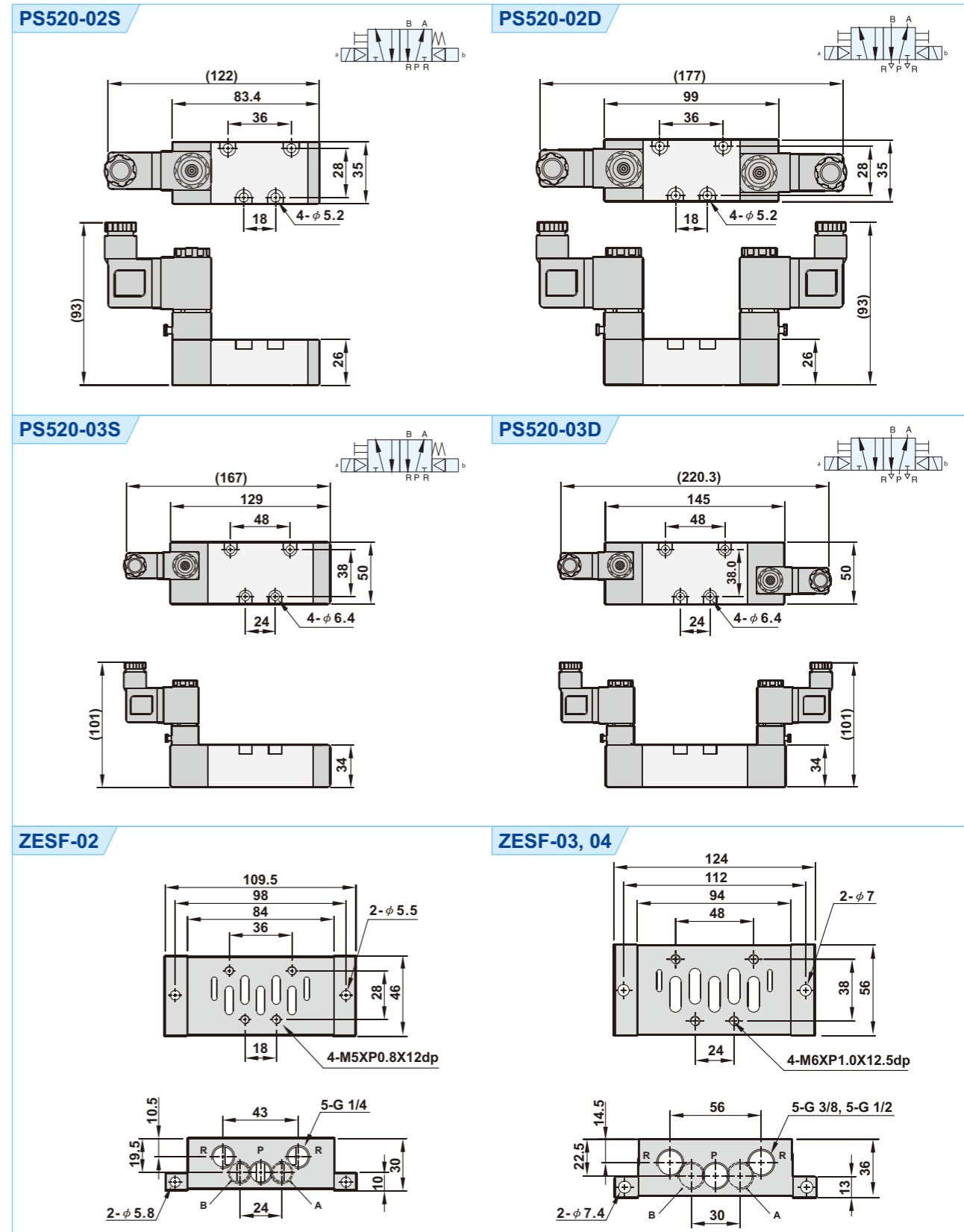
How to order manifold

ZESF - 02	ZESP520B - 02	ZESP520E - 02
Single sub-base	Manifold sub-base	End plate
Port size	Port size	Port size
02 : 1/4" (ISO 1) 03 : 3/8" (ISO 2) 04 : 1/2" (ISO 2)	02 : 1/4" (ISO 1) 03 : 3/8" (ISO 2) 04 : 1/2" (ISO 2)	02 : 1/4" (ISO 1) 03 : 3/8" (ISO 2) 04 : 1/2" (ISO 2)

Specifications

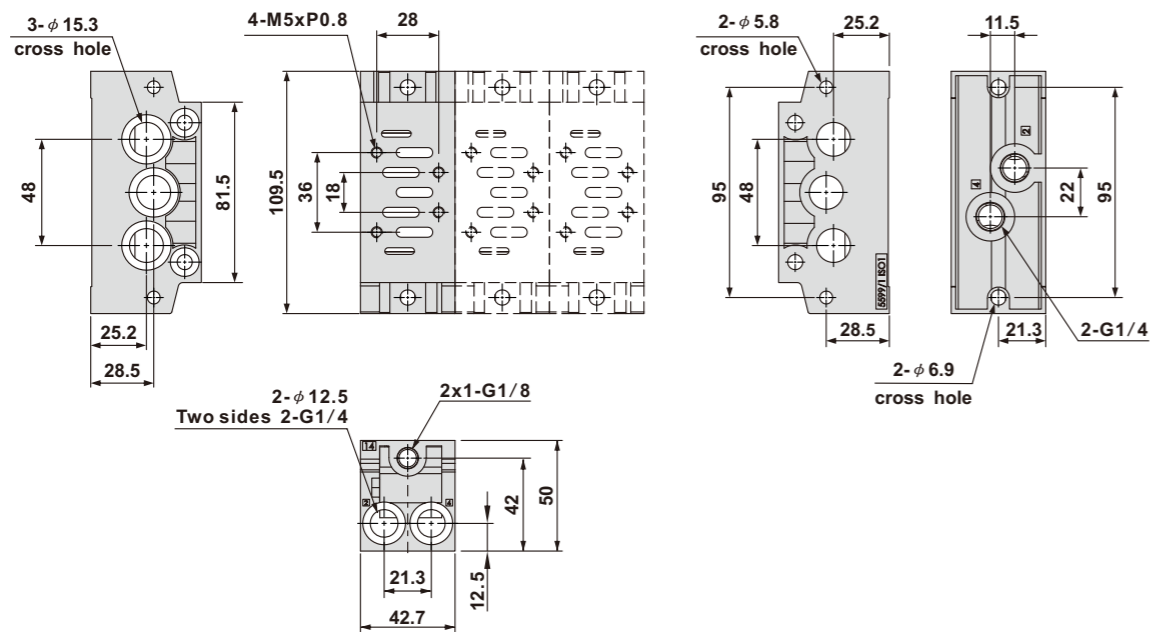
Model	PS520-02-S	PS520-02-D	PS520-03(4)-S	PS520-03(4)-D
Port size	1/4"		3/8" (1/2")	
Body material	Aluminum alloy			
Effective area	29mm ²		62mm ²	
Fluid	Compressed air			
Acting	Internal pilot			
Operating pressure range	1.5 ~ 8 kgf/cm ²			
Proof pressure	9.9 kgf/cm ²			
Ambient temperature	-10°C ~ 60°C			
Duty cycle	100% ED			
Coil type	DIN			
Protection class	IP65 (DIN 40 050)			
Insulation class	F			
Voltage tolerance	±10%			
Standard voltage	220VAC, 110VAC, 24VDC (The other voltage is optional)			
Net weight (W/I base)	320g (500g)	460g (640g)	700g (980g)	840g (1120g)

Dimensions

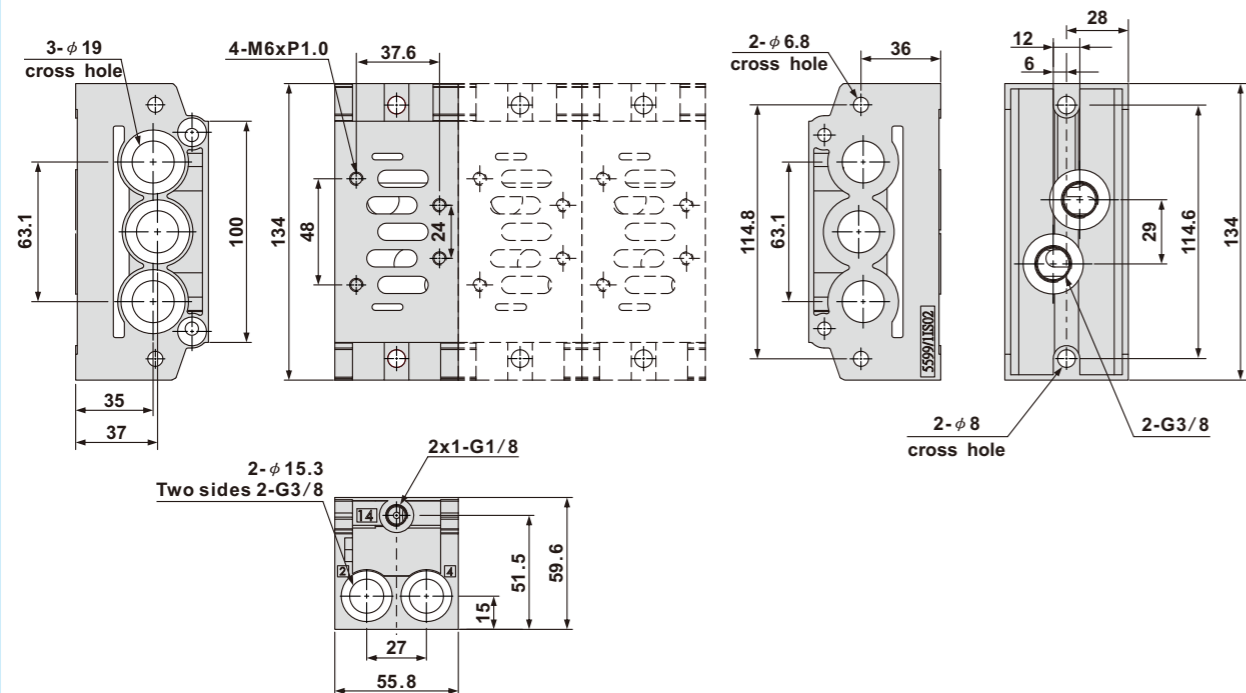


■ Dimensions

ZESP520B-02 (ISO1 Manifold sub-base)

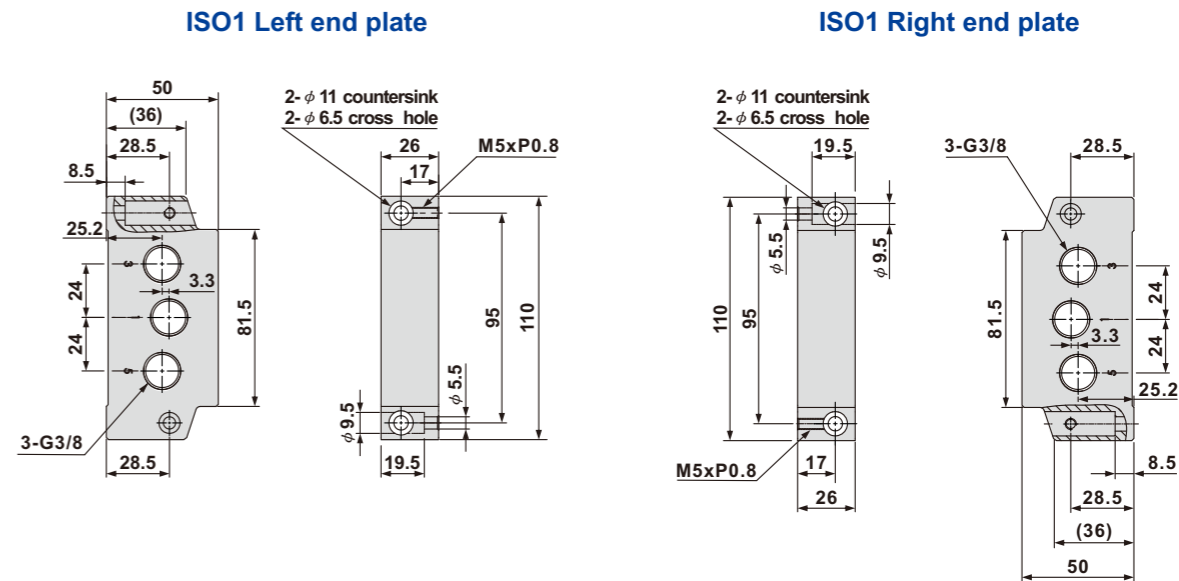


ZESP520B-03 (ISO2 Manifold sub-base)



■ Dimensions

ZESP520E-02 (ISO1 End plate)



ZESP520E-03 (ISO2 End plate)

