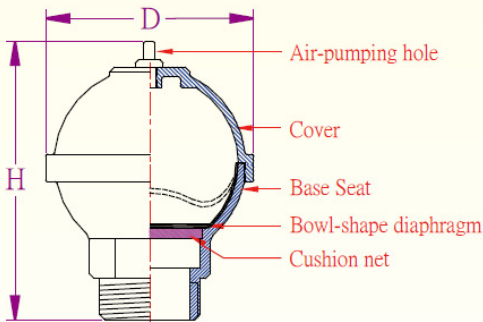


I Style Water Hammer Arrester



▲ Stainless Steel Material



Model : AIT
(Threaded)

- ★ Applied Condition : Water
- ★ Applied Temperature : -15 °C ~ 80 °C
- ★ Vertical and horizontal installation is acceptable.
- ▼ Valve Body Testing Pressure
 - Cast Iron : 21 kgf/cm²
 - Bronze : 21 kgf/cm²
 - Ductile Iron : 32 kgf/cm²
 - Stainless Steel : 32 kgf/cm²
- ★ Diaphragm Rubber : NBR

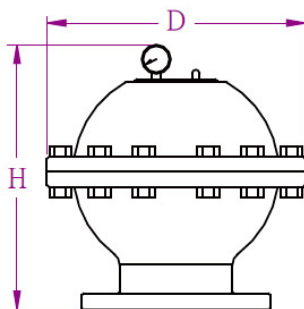
★ The product doesn't have gauge

Size	H	D
1/2"	91	46
3/4"	95	55
1"	110	64
1 1/4"	122	80
1 1/2"	133	92
2"	175	135
2 1/2"	200	155
3"	218	210
4"	270	260

Unit : mm



▲ Stainless Steel Material



Model : AIF
(Flange)

★ The product have gauge

Size	H	D
3"	250	215
3"(FC)	250	245
4"	330	260
4"(FC)	330	310
5"	330	330
6"	420	400
8"	510	460
10"	510	460
12"	620	625

Unit : mm