



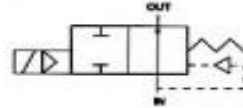
# Diaphragm Series 2/2 Way N.O.



ISO 9001 Certificate



Opening:200~500ms  
Closing:1000~4000ms

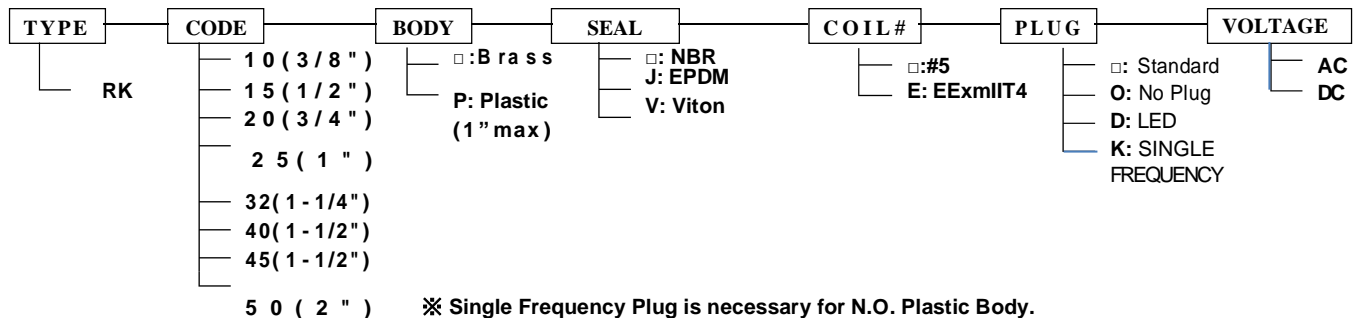


Coil No.#	5	5K	3E
AC (VA)	23.0	69.0	9.2
Final Temp.	85.0	95.0	50.0
DC (W)	18.5	-	10.0
Final Temp.	95.0	-	70.0

**RK SPECIFICATIONS: Forged Brass Body, N.O.,min. O.P.D. 0 Bar, For Water, Vacuum, Air, Gas etc..**

CODE (PIPE)	PIPE	Orific emm	Seal	Coil #	Temp. °C			Working Pressure 0~ bar				Cv	torr	
					N	J	V	#5		#3E				
								AC	DC	AC	DC			
10	3/8	18	NBR	5				5	3	1			3.0	10 <sup>-1</sup>
15	1/2	18											4.0	
20	3/4	23	J (EPDM)	3E (ATEX)	-5 / 80	-10 to +145	5	4					6.8	
25	1	28											11.0	
32	1 1/4	33	V (VITON)				4	2	1	0.5			16.0	
40	1 1/2	33											21.0	
45	1 1/2	44											26.0	
50	2	44					4	2	1	0.5			31.0	

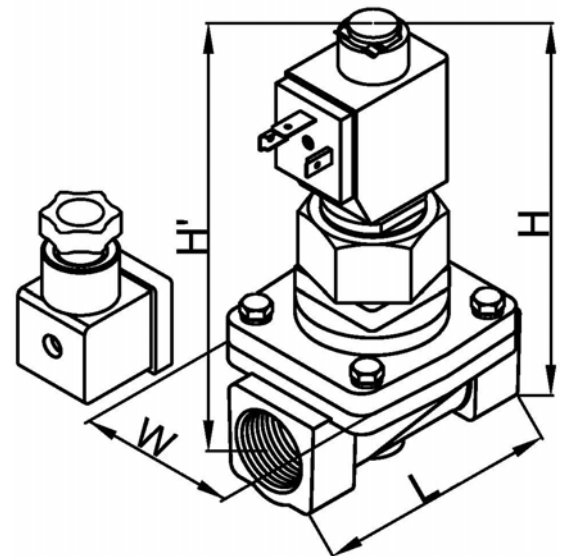
### TYPE INDICATION:



※ Single Frequency Plug is necessary for N.O. Plastic Body.  
 ※ The orifice of RK20P, RK25P is 28mm and the outlined dimensions are all the same to RK25.

### DIMENSIONS: mm

TYPE	L	H	H'	W	Kg
RK10	71.0	135.0	121.0	51.0	1.1
RK15	71.0	135.0	121.0	51.0	1.0
RK20	80.0	141.0	124.0	61.0	1.2
RK25	90.0	147.0	127.0	71.0	1.6
RK32	97.0	166.0	137.0	76.0	2.3
RK40	97.0	166.0	137.0	76.0	2.0
RK45	118.0	182.0	147.0	98.0	4.5
RK50	118.0	182.0	147.0	98.0	3.9



**P.S. If coil #3 ATEX required, add 0.25Kg.**

**Example 1** RK10-DC24V  
 TYPE RK, 3/8" PIPE, Orifice 18 mm, Brass body, NBR Seal  
 Nass #5 Coil Standard Plug, DC24V.

**Example 2** RK15-P-V-K-AC220V  
 TYPE RK, 1/2" PIPE Orifice 18 mm, Plastic body, Viton Seal Nass #5 Coil Single Frequency Plug, AC220V.

※The specifications are tested with NASS AC220V/50HZ and DC24V. We reserve the right to change the specifications without prior notice.

E-mail: [sales@solenoid-valves.com](mailto:sales@solenoid-valves.com)

Website: <https://www.solenoid-valve.world> TEL: +44(0) 1454 334990

FAX: +44 (0) 1454 326390