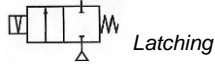


Media: air – water – gas – light oil
 Pressure range: 0.5 to 10 Bar max
 Media temperature: -5°C +60°C max
 Ambient temperature: -15°C to +50°C
 Media viscosity: 50 centistokes max
 Mounting: coil upright preferred
 Open: 200-500ms, Close: 500-2000ms



Latching

2/2 Brass

3/8 – 2”

LATCHING

2 WAY SERVO ASSISTED

0.3 – 10 Bar

TYPE GL



PRESSURE

Ø Port BSP	Ø Orifice (mm)	Flow Kv Ltr/ min	Pressure Rating (Bar) ΔP		Seals	Media Temp. °C	Part Number
			Min	Max			
3/8	15	28.6	0.3	10	NBR EPDM VITON	-5°C to +60°C	GL10-NBR-L + voltage GL10-EPDM-L + voltage GL10-VITON-L + voltage
1/2	15	35.75	0.3	10	NBR EPDM VITON		GL15-NBR-L + voltage GL15-EPDM-L + voltage GL15-VITON-L + voltage
3/4	20	74.36	0.3	10	NBR EPDM VITON		GL20-NBR-L + voltage GL20-EPDM-L + voltage GL20-VITON-L + voltage
1	25	121.55	0.3	9	NBR EPDM VITON		GL25-NBR-L + voltage GL25-EPDM-L + voltage GL25-VITON-L + voltage
1 1/4	33	228.8	0.3	8	NBR EPDM VITON		GL32-NBR-L + voltage GL32-EPDM-L + voltage GL32-VITON-L + voltage
1 1/2	33	300.3	0.3	8	NBR EPDM VITON		GL40-NBR-L + voltage GL40-EPDM-L + voltage GL40-VITON-L + voltage
2	44	443.3	0.3	7	NBR EPDM VITON		GL50-NBR-L + voltage GL50-EPDM-L + voltage GL50-VITON-L + voltage

OPTIONS

IP65 Coil & Connector PG9 – DIN 43650 B NPT Thread Connector with LED; wires or ½ NPT conduit, mounting bracket (3/8-1), flanged ends	Included
---	-----------------

ELECTRICAL DATA

Voltage (-10% + 10%) Continuous duty 100%	Coil	Power Consumption	Insulation class	Enclosure	Electrical connections
= 6 -12 (DC)	2L	6.9 Watts	F 155°C	IP 65 with connector	3 spades DIN 43650B DIN 40050 VDE 0110
= 24 (DC)		6 Watts			

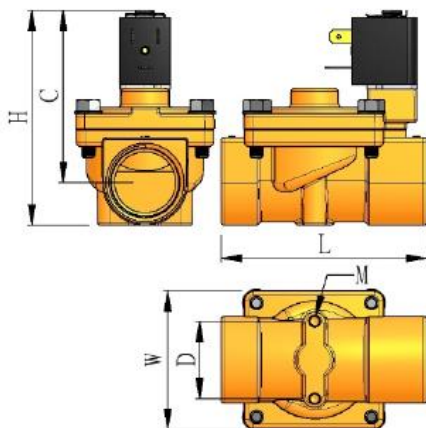
CONSTRUCTION

Body: Forged Brass SS41, Tube and internal parts: Stainless steel
 Seals and gaskets: NBR (Option EPDM)
 Moulded coil: DuroPlast ThermoSet Resin

REPAIR KIT

Diaphragm Seal	GL + Size code (10-50) + seal material
Coil	22001 + voltage
Armature assembly (Normally Closed)	GL-ARMATURE

OVERALL DIMENSIONS



Port	L	W	H	C	D	M	Kg
3/8 1/2	64	42	81	92	22	M5	0.48
3/4	80	51	88	99	28		0.67
1	90	61	95.5	106.5	34		0.92
1 1/4 1 1/2	104	76	119.5	130.5			1.93
2	122	95	133	144			2.84

