

Large flow Direct-operated Type

Model-Code	Port size	Orifice (mm)	CV value	Fluid temp. (°C)	Seat disc	Differential pressure Kg/cm ² (bar)					Weight (kgs)		
						Liquid	Air	Gas	Naphtha (120°C)	Vacuum (torr)			
ADM-14	3/8"	15	4.5	-10	N	0-10	0-10	0-10	0-10	0-10 ⁻⁶	1.03		
ADM-15	1/2"	15	4.5			0-10	0-10	0-10	0-10	0-10 ⁻⁶	1.06		
ADM-20	3/4"	20	9.3			0-10	0-10	0-10	0-10	0-10 ⁻⁶	1.24		
ADM-25	1"	25	13.2			}	E	0-10	0-10	0-10	0-10	0-10 ⁻⁶	1.51
ADM-35	1-1/4"	35	26					0-10	0-10	0-10	0-10	0-10 ⁻⁶	2.87
ADM-40	1-1/2"	35	26					0-10	0-10	0-10	0-10	0-10 ⁻⁶	2.77
ADM-50	2"	50	48	120	R			0-7	0-7	0-7	0-5	0-10 ⁻⁶	4.81

How to order

ADM - 15 - V - G2 - V - 240VAC - G

Model : ADM-With manual override

Code

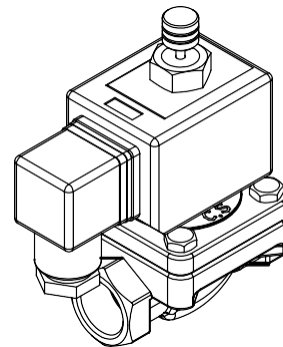
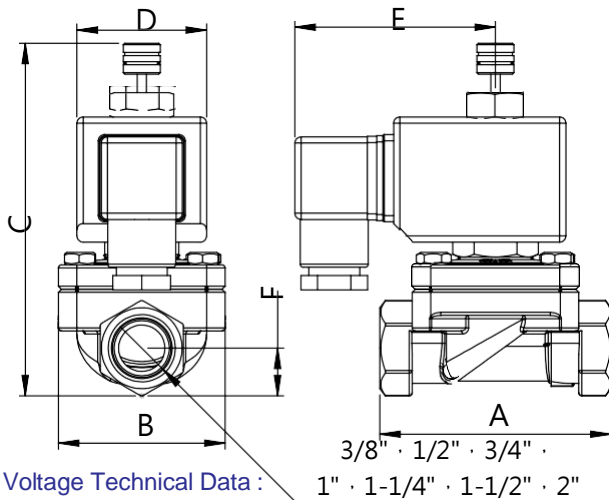
Coil code and connector type:
 G2 : Square DIN 43650A (IP65)
 G2C4 : With plug 1/2"NPT (IP65)
 GE2 : Square cable wire 300mm with 1/2"NPT
 G27 : Square DIN 43650A (IP67)

Voltage

Thread :
 PT(RC) None
 G-BSP(PF)
 N-NPT
 R-PS(RP)

Seal material:
 N : NBR
 S : SILICONE
 E : EPDM
 V : VITON®
 R : HNBR

Application :
 None- Air or Water
 V-Vacuum
 O-Naphtha
 G-Gas



Material table

Article	Material
Solenoid Tube	Stainless Steel
Solenoid Core	Stainless Steel
Solenoid Coil	Magnet Wires
Seal	N/S//E//V//R.
Spring	Stainless Steel
Valve Body	Forged Brass
Diaphragm Base	Forged Brass
Leak proof O-Ring	N,S,E,V,R

Supply Voltage Technical Data :

24V AC/DC ; 13.4VA/18W ; 12VDC/18W
 110~120 VAC ; 17VA
 220VAC ; 16.2VA
 230~240 VAC ; 18.7VA

Ambient Temperature - 20 ~ + 70°C

Notes :

1. Direct-acting valves are ideally suited to allocate at any angle.
2. ±10% Voltage drop range is within ±10%.
3. Pressure of voltage DC is 70% of voltage AC only.
4. Max. temperature is up to 120°C.

Inapplicable Fluids :

1. Fluids that have kinematic viscosity over 50 CST.
2. Fluids that will turn to liquid after being heated and become solid after being cooled.
3. Corrosive fluids.

Specification : ADM-14~50

Item	Unit (mm)						
	3/8"	1/2"	3/4"	1"	1-1/4"	1-1/2"	2"
A	75	85	100	120	150		
B	54	60	70	90	120		
C	110	120	127	148	166		
D	42	42	42	42	42		
E	65	65	65	65	65		
F	14.5	18	23	33	40.5		