

SAP TIM

Molded connector, form C, analogue with EN 175301-803 (ISO 15217)

Molded sheathing

Color anthracite grey, translucent
 Material TPU
 Imprint circuit diagram; white; on front side

Terminal block

Material PA6 GF15
 Poles 2 + 2 PE
 Ground position 6/12 h
 Contact distance 8 mm

Cable

Jacket PVC, black
 Internal cores yellow/green, blue, brown
 Cores x cross-section 3 x 0,50 mm²
 Outer diameter ca. 5,1 mm
 Length (L) 2,00 m
 Stripping (A) 30,0 mm
 Core ends equipped with wire end sleeves
 Temperature range (fix) -30 ... +80°C
 Temperature range (flexible) -5 ... +70°C

Contacts

Material CuZn, coated with Cu/Sn
 Forward resistances < 15 mOhm

Gasket

Type TPU, molded

Fastening screw

Material A2-50 (stainless steel)
 Size M2,5 x 22,5 mm
 Recess type cross recess (type H) with longitudinal slot
 Tightening torque 0,4 ± 0,1 Nm

Circuit

Built-in electronics LED + varistor
 LED red
 Protecting element yes, varistor
 Voltage range 230 V ± 15 %
 Current type AC/DC
 Operating current max. 1,50 A (Derating is to be considered.)
 Protection against wrong polarity yes

General properties

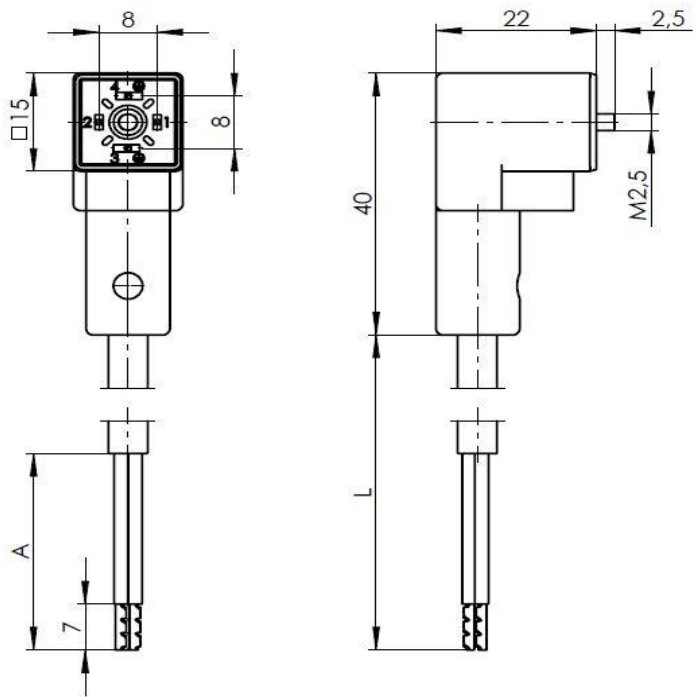
Temperature range * -25 ... +90°C
 RoHS yes
 Protection grade (IEC 60529) ** IP67

Packaging

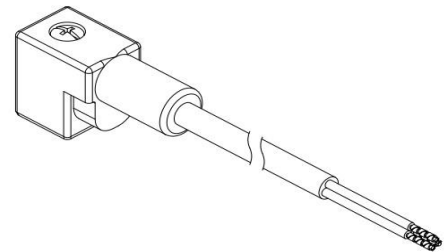
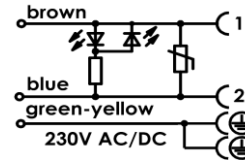
Single packaging. The molded connector is single packed in the plastic bag and inserted into the cardboard box. Packaging unit: 100 pcs/cardboard box. Fastening screw is inserted into the plastic bag. Size of the cardboard box: 795x325x160 mm. Product informations are displayed on the label of the plastic bag.

* Depends on the connected cable.

** Must be tested in properly mounted state on the counterpart.



Imprint



				Zulässige Abweichung für Maße ohne Toleranzangabe Unless otherwise specified tolerances	Format/Size: A4	Maßstab/Scale:	Gewicht/Weight:
6	28485	09.05.2018	GJO	DIN ISO 2768-v Schutzvermerk ISO 16016 beachten Observe protection note ISO 16016	Werkstoff: Material:		
5	27504	27.02.2017	LMA		Benennung: Title:		
4	27448	25.01.2017	GJO		Molded con C2+2E12 PVC3x0,50 2,00m 03Er		
3	26609	08.02.2016	PKR				
2	26600	01.02.2016	PKR				
1	26443	27.10.2015	PKR		Ident. - Nr.: 615-202-0042		
Ind Rev	Änderung-Nr. Change no.	Datum Date	Name By	Freigabe-Nr.: 24279			Blatt: Sheet: 1/1
Gepprüft: Checked: 09.05.2018 TASNER					Ersatz für/Replacement for:		
Erstellt: Created: 21.09.2012 KROZSER							