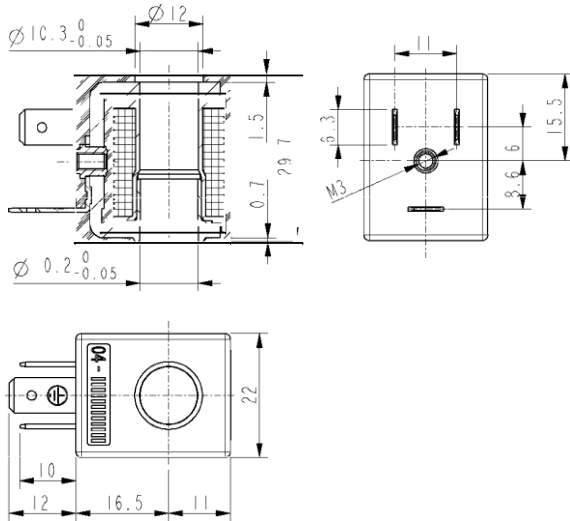




COIL ZB10A
Spade terminals (DIN 46340)
Form B Industrial

ZB10A

ZB10A



GENERAL FEATURES

Complying with 73/23/EC (Low Voltage), 2004/108/EC (EMC) directives and relative modification.

Complying with VDE 0580 standard (100% inspected).

ELECTRIC CONNECTIONS

Spade terminals 6,3 x 0,8 (DIN46340), 2 line + 1 earth terminals.
3 poles plug connector.

TECHNICAL FEATURES

	ZB10
Approval	/
Encapsulation material	PA (Polyamide) fiberglass reinforced
Insulation class	F (155°C)
Continuous duty	-10°C +60°C
Protection degree	IP 65 (EN 60529) with Plug connector
Voltages DC	12-24V (+10% -5%)
AC	24V/50-60Hz -115V/50Hz - 230V/50-60Hz (+10% -15%) (Other voltages and frequencies on request).

TYPE	POWER ABSORPTION			DC	NOTES	WEIGHT (kg)
	AC		DC			
	Inrush	Holding				
VA	VA	W	W			
ZB10A	12	6	4	5,5		0,060
400127-181 400127-198 400127-197 400904-641 400904-642		24/50 115/50 + 120/60 230/50 230/60		12vDC 24vDC		