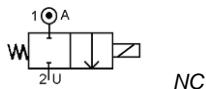


Media: vacuum (10 Torr) - air - water - light oil  
 Pressure range: 0 to 10 Bar max  
 Media temperature: +90°C  
 Ambient temperature: -30°C to +40°C (+50°C\*)  
 Media viscosity: 50 centistokes  
 Mounting: preferred coil upright  
 Opening / Closing 100 mSec Max



# 2/2 Stainless

3/8 – 2”  
 NORMALLY CLOSED  
 2 WAY ZERO RATED  
 0 – 10 Bar  
 TYPE MD316



### PRESSURE

Ø Port BSPT	Ø Orifice (mm)	Flow Kv Ltr/ min	Pressure Rating (Bar)			Seals	Part Number
			Min	Max Air/ Water	Max Oil		
3/8	16	52.9	0	10	7	EPDM NBR FKM	MD14316M16E + voltage MD14316M16N + voltage MD14316M16V + voltage
1/2	16	52.9	0	10	7	EPDM NBR FKM	MD15316M16E + voltage MD15316M16N + voltage MD15316M16V + voltage
3/4	23	90	0	10	7	EPDM NBR FKM	MD20316M16E + voltage MD20316M16N + voltage MD20316M16V + voltage
1	28	114.4	0	10	7	EPDM NBR FKM	MD25316M16E + voltage MD25316M16N + voltage MD25316M16V + voltage
1 1/4	32	185.9	0	10	7	EPDM NBR FKM	MD32316M16E + voltage MD32316M16N + voltage MD32316M16V + voltage
1 1/2	40	290.3	0	10	7	EPDM NBR FKM	MD40316M16E + voltage MD40316M16N + voltage MD40316M16V + voltage
2	50	457	0	10	7	EPDM NBR FKM	MD50316M16E + voltage MD50316M16N + voltage MD50316M16V + voltage

### OPTIONS

IP65 Coil & Connector PG11 – DIN 43650 A  
 NPT Thread  
 Without Shading Ring (DC voltages only)  
 M17 Class N High Power Coil +50°C Ambient, 0 to 16 Bar (MDxx316M17 + seal + voltage)

### ELECTRICAL DATA

Voltage (-10% + 10%) Continuous Duty 100%		Coil	Power Consumption		Insulation class	Enclosure	Electrical connections
~	24 - 110 - 230 (50 or 60 Hz)		Inrush	Holding			
=	12 - 24 - 48 - 125 (DC)	M16	70VA	35VA	F 155°C	IP 65 with connector	3 spades DIN 43650A DIN 40050 VDE 0110
			26 Watts				

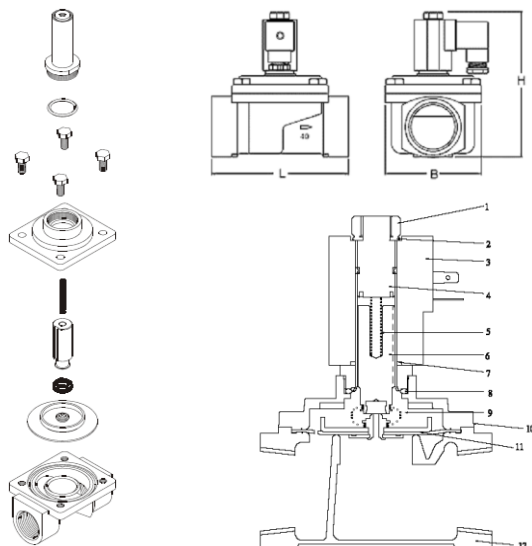
### CONSTRUCTION

Body: 316 Stainless Steel (CF8M)  
 Tube and internal parts: 304, 430F Stainless steel  
 Seals and gaskets: EPDM (Optional NBR or Viton®)  
 Shading Ring: Copper (Option for silver shading ring)  
 Moulded coil: Resin F rated

### REPAIR KIT

Diaphragm seal	MD + orifice + material
Coil	Coil type (M16 or M17) + voltage
Armature assembly	SP + Valve Part Number -ARMATURE

### OVERALL DIMENSIONS



Model	Port	L	B	H	Kg
MD15	1/2	70	52	112	0.8
MD20	3/4	80	62	122	1
MD25	1	90	72	132	1.25
MD32	1 1/4	120	83	138	1.9
MD40	1 1/2	136	97	140	2.6
MD50	2	160	112	150	4

Part	Description	Material
1	Nut	SUS304
2	O Ring	NBR
3		IP65 Moulded Coil
4	Packless Ass'y	SUS304
5	Plunger Spring	SUS304
6	Plunger	SUS304, KM31
7	O Ring	NBR
8	O Ring	NBR
9	Spring	SUS304
10	Valve Bonnet	3/8-1" C3771BE/SCS14 1 1/4 – 2" BC 6/SCS14
11	Diaphragm	SUS304, BSBF(SUS304) NBR, EPDM or Viton
12	Valve Body	3/8-1" C3771BE/SCS14 1 1/4 – 2" BC 6/SCS14