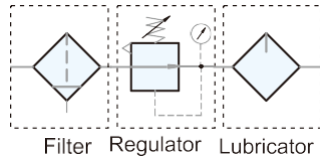


# U Series F.R.L Combination

Filter + Regulator + Lubricator (3 units style)

## Symbol



## Features

1. Remove water and particle effectively.
2. 40µm and 5µm filter element are easily interchangeable and replaceable.
3. Accurate and easy pressure setting.
4. Lubricator oil can be replenished without stopping air supply.
5. Oil spray in mist ensures good lubrication for machines.
6. Anti-acid & Alkali bowl and aluminum bowl provide excellent protection in organic chemistry working environments.  
(Please contact our sales for more inquiries.)



\*Lubricator oil (Recommended) : ISO-VG32

## How to order

UFRL	02	N	C	H	A	SB
F.R.L combination	Port size	Thread	Filtration	Drain	Bowl	Spacer block
Filter+Regulator	02 : 1/4"	Blank: G	PE	Blank : Semi-auto drain	Blank: Standard bowl	Blank: W/O
+Lubricator	03 : 3/8"	N : NPT	Blank: 5µm	H : Manual drain	A : Anti-acid & alkali bowl	Spacer block
	04 : 1/2"	R : Rc	C : 40µm	D : Auto drain	AL : Aluminum bowl (1/4"~1/2")	SB : Spacer block
	06 : 3/4"		Sintered brass			
	08 : 1"		S : 5µm			
			T : 40µm			

Please contact our sales for non-relieving type.

\*For non-relieving type, the secondary pressure is not allowed to be exhausted when it is higher than setting pressure.

※Note: Please see page 1-85 for ordering spacer block separately.

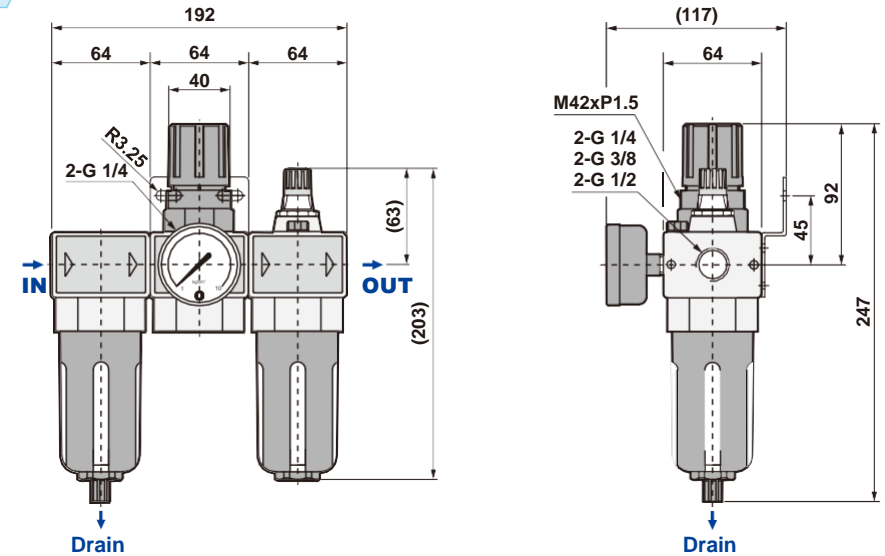
## Specifications

Model	UFRL-02	UFRL-03	UFRL-04	UFRL-06	UFRL-08
Port size	1/4"	3/8"	1/2"	3/4"	1"
Fluid	Compressed air				
Regulator construction	Piston				
Body material	Aluminum die-cast				
Bowl material	Polycarbonate (Standard), Anti-acid & alkali bowl (Option), Aluminum bowl (Option)				
Filtration	PE: 5µm (Standard), 40µm (Option); Sintered brass (Option): 5µm, 40µm				
Operating pressure range	0.5 ~ 9.9 kgf/cm <sup>2</sup>				
Max. inlet pressure	15 kgf/cm <sup>2</sup>				
Max. flow rate l/min (ANR)	2080	2100	2600	7940	8200
Ambient temperature	-10°C ~ 60°C				
Filter bowl capacity		105cc		210cc	
Lubricator bowl capacity		125cc		235cc	
Standard drain	Semi-auto drain (Drains below 0.5kgf/cm <sup>2</sup> )				
Net weight	1800g (W/I Aluminum bowl 2100g)			2650g	
Accessories	Pressure gauge, Mounting bracket set, Plug				

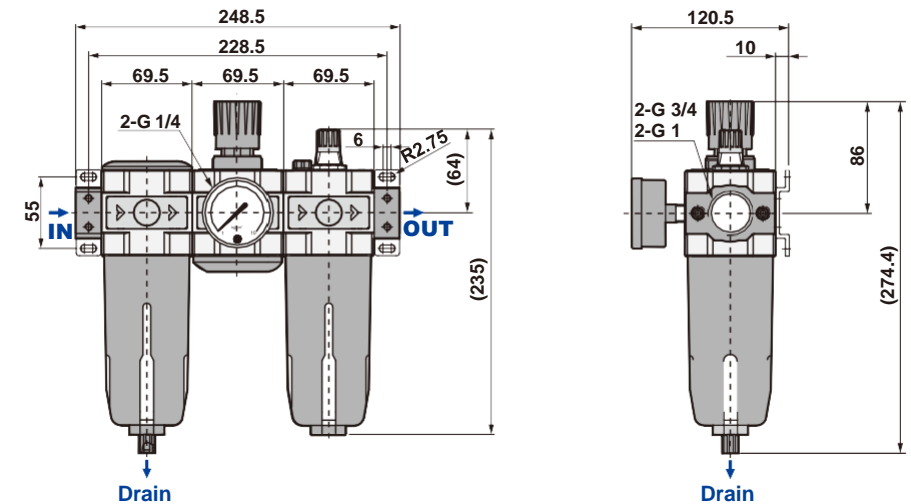
[www.solenoid-valve.world](http://www.solenoid-valve.world)

## Dimensions

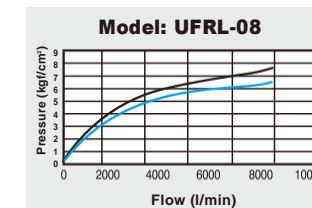
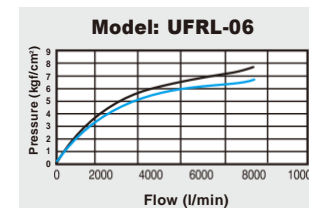
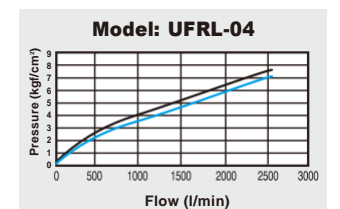
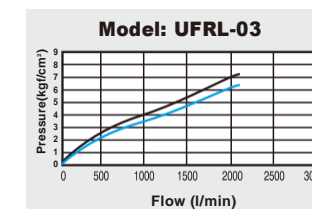
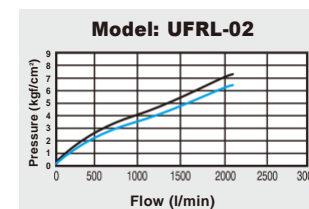
### UFRL-02, 03, 04



### UFRL-06, 08



## Flow chart



### Note:

X axis: Flow (l/min)  
Y axis: Pressure (kgf/cm<sup>2</sup>)  
Blue line (P0) = Outlet pressure  
Black line (P1) = Inlet pressure  
P1-P0=Pressure range

[www.solenoid-valve.world](http://www.solenoid-valve.world)