

Media: air – water – liquid - vacuum  
 Pressure range: 0 to 10 Bar max  
 Media temperature: 0°C to +90°C max  
 Ambient temperature: -15°C to +50°C  
 Mounting: Any  
 Cycles: 50,000  
 Opening / Closing: 15 seconds  
 Duty cycles: 100%

# Actuated Ball Valve

1 1/4" – 2"  
**STANDARD & FAILSAFE**  
**2 WAY**  
 0 – 10 Bar  
**TYPE ABV12-20S**



### PRESSURE

Port BSP	Orifice mm	Operating Time Secs	Pressure (Bar) ΔP		Function	Voltage	Part Number
			Min	Max			
1 1/4	32	15	0	10	<b>Failsafe Control</b> Power ON valve Opens Power OFF valve Closes  <i>Requires initial 30 second power ON time thereafter minimum 10 seconds to recharge the reserve power.</i>	9v to 35v AC/DC	ABV12S/9AR-E2
						110v to 240vAC	ABV12S/2AR-E2
1 1/2	40	15	0	10		9v to 35v AC/DC	ABV14S/9AR-E2
						110v to 240vAC	ABV14S/2AR-E2
2	50	15	0	10		9v to 35v AC/DC	ABV20S/9AR-E2
						110v to 240vAC	ABV20S/2AR-E2
1 1/4	32	15	0	10	<b>3 Wire Control</b>  Connect Power Red & Negative Black  Power ON Green, Valve Opens, Power OFF Green, Valve Closes	12vDC	ABV12S/8-E2
						24vDC	ABV12S/9-E2
						110v to 240vAC	ABV12S/2-E2
1 1/2	40	15	0	10		12vDC	ABV14S/8-E2
						24vDC	ABV14S/9-E2
						110v to 240vAC	ABV14S/2-E2
2	50	15	0	10		12vDC	ABV20S/8-E2
						24vDC	ABV20S/9-E2
						110v to 240vAC	ABV20S/2-E2

### OPTIONS

Visual Position Indicator and E2 Volt free fully Open & Closed position feedback switches Failsafe Open (AR-NO) (Power to close with failsafe Open) 3 wire 1 point control NPT Thread	<b>Included</b>
--	-----------------

### ELECTRICAL DATA

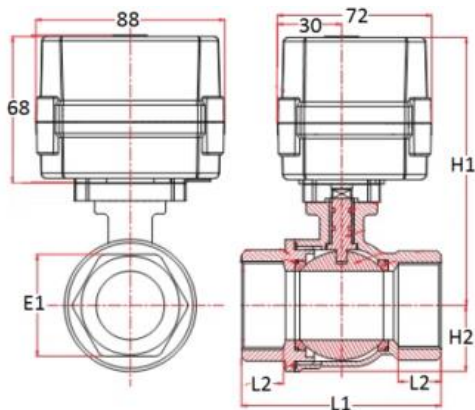
Duty	Position Feed Back Switch	Torque	Power	Enclosure	Electrical connections
Continuous duty 100% Open / Close 15 seconds	Volt Free – No voltage is supplied from actuator  Switch rating: 0 to 36vDC 0.4 Amp Max	10 Nm	22 Watt	IP67	2 lead wires 0.5 meter

### CONSTRUCTION

Valve Body: 304 stainless steel, Seals WRAS PTFE  
 ABV Actuator: ABS Engineering Plastic, Gears Metal

### OVERALL DIMENSIONS

Failsafe – Automatic Return	3 Wire Control
<p>Power ON motor actuates valve into powered position and then automatically powers off. Valve stays in powered position.</p> <p>Power OFF motor actuates valve back to start position using reserve power. Valve stays in start position</p> <p><b>Position Feedback: Green Open, Yellow Closed, White common</b></p>	<p>Power ON to GREEN motor actuates valve into powered position and then automatically powers off. Valve stays in powered position.</p> <p>Power OFF to GREEN motor actuates valve back to start position and then automatically powers off. Valve stays in start position.</p> <p><b>Position Feedback: Blue &amp; Grey Open, Yellow &amp; White Closed.</b></p>



Port	Bore	L1	L2	E1	H1	H2
1 1/4	32	102	23	47	122	31
1 1/2	40	115	25	54	130	36
2	50	130	25	66	138	45