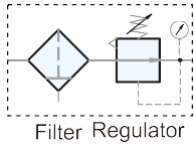


Symbol



Features

1. Remove water and particle effectively.
2. 40 μ m and 5 μ m filter element are easily interchangeable and replaceable.
3. Accurate and easy pressure setting.



How to order

UCFR	—	02	N	C	G	H	A
Filter Regulator	Port size	Thread	Filtration	Gauge type	Drain	Bowl	
	02: 1/4" 03: 3/8" 04: 1/2"	Blank: G N : NPT R : Rc	PE Blank: 5 μ m C : 40 μ m Sintered brass S: 5 μ m T: 40 μ m	Blank : Square G : Circle	Blank: Semi-auto drain H : Manual drain D : Auto drain	Blank : Standard bowl A : Anti-acid & alkali bowl AL : Aluminum bowl	

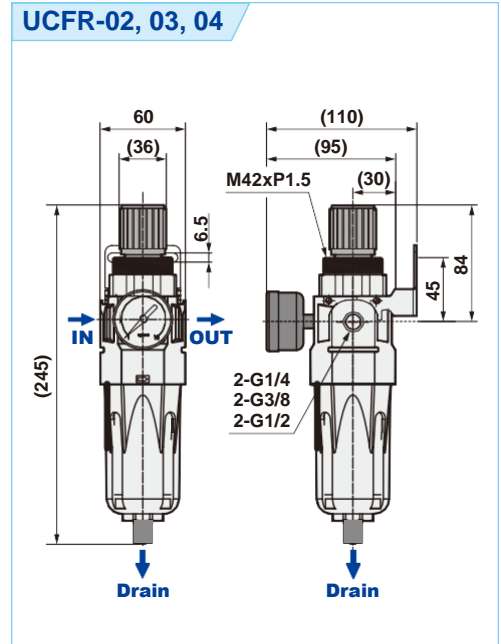
Please contact our sales for non-relieving type.

*For non-relieving type, the secondary pressure is not allowed to be exhausted when it is higher than setting pressure.

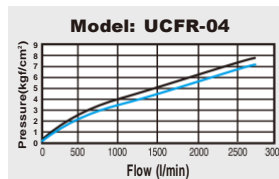
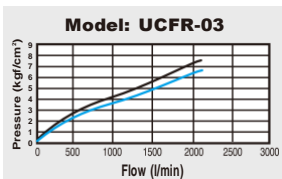
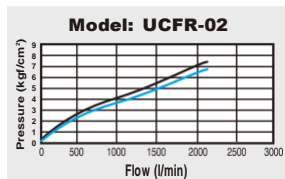
Specifications

Model	UCFR-02	UCFR-03	UCFR-04
Port size	1/4"	3/8"	1/2"
Fluid	Compressed air		
Regulator construction	Piston		
Body material	Aluminum die-cast		
Bowl material	Polycarbonate (Standard), Anti-acid & alkali bowl (Option), Aluminum bowl (Option)		
Filtration	PE: 5 μ m (Standard), 40 μ m (Option); Sintered brass (Option): 5 μ m, 40 μ m		
Operating pressure range	0.5 ~ 9.9 kgf/cm ²		
Max. inlet pressure	15 kgf/cm ²		
Max. flow rate l/min (ANR)	2080	2100	2600
Ambient temperature	-10°C ~ 60°C		
Filter bowl capacity	105cc		
Standard drain	Semi-auto drain (Drains below 0.5kgf/cm ²)		
Net weight	810g (W/I Aluminum bowl, 1010g)		
Accessories	Mounting bracket set, Plug		
Option	Gauge plate, Mounting nut		

Dimensions



Flow chart



Note:

X axis: Flow (l/min)
Y axis: Pressure (kgf/cm²)
Blue line (P0) = Outlet pressure
Black line (P1) = Inlet pressure
P1-P0=Pressure range