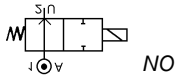


Media: air – water – light oil - steam
 Pressure range: 0 to 7 Bar max
 Media temperature: +185°C Max
 Ambient temperature: -5°C to +60° C
 Media viscosity: 50 centistokes max
 Mounting: coil upright
 Opening / Closing time: 20 mSec Max

2/2 Steam Stainless

1/8 – 3/8
 NORMALLY OPEN
 2 WAY DIRECT MINI
 0 – 10 Bar
 TYPE NOSUS610



PRESSURE

Ø Port BSP	Ø Orifice (mm)	Flow Cv m³/hr	Coil	Pressure Rating (Bar)			Seals	Part Number
				Min	Max AC	Max DC		
1/8	2.5	0.23	S	0	7	5	Viton 130°C NBR 80°C Silicone 130°C	NOSUS6 + voltage
1/4	2.5	0.23	S	0	7	5		NOSUS8 + voltage
3/8	4	0.58	M	0	10	7		NOSUS10 + voltage

OPTIONS

IP65 S or M Coil
 NPT + BSPT threads

ELECTRICAL DATA

Voltage (-10% + 10%) Continuous duty 90%	Coil	Power Consumption AMP			Insulation class	Enclosure	Electrical connections
		24vDC	110vAC	230vAC			
		S	0.66	0.11			
M	0.75	0.19	0.1				

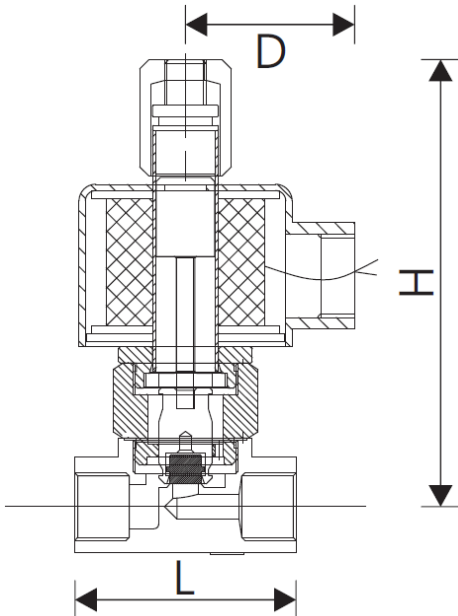
CONSTRUCTION

Body: 316 (CF8M) stainless steel
 Tube and internal parts: Stainless steel
 Seals and gaskets: Viton with PTFE O Ring (Optional Silicone)
 Moulded coil: Resin
 Standard coil: H rated special copper wire
 Washer: PTFE or NBR

REPAIR KIT

Coil	S or M + voltage
Armature assembly	SP + Valve Part Number -ARMATURE

OVERALL DIMENSIONS



Model	L	H	D	L1	D1	M	Kg
NOSUS6	41	87	21.5	23	19.3	M4 x0.7	0.34
NOSUS8	41	87	21.5	23	19.3	M4 x 0.7	0.33
NOSUS10	53	105	48	20	21	M5 x 0.8	0.54

