

### Features

1. High temperature resistant thermoplastic contains 30% PC.
2. Brass winding H class heat resistant up to 200°C according to IEC317-8.
3. Built-in magnetic yoke made by low carbon magnet.



### Order code

Voltage	Order code	Type	Remarks
220VAC	SA20716FCSK	Lead wire	Standard (3.6VA)
220VAC	SA20716DCSK	DIN	Option (3.6VA)
110VAC	SA10716FCSK	Lead wire	Standard (3.6VA)
110VAC	SA10716DCSK	DIN	Option (3.6VA)
24VAC	SA90716FXSK	Lead wire	Standard (3.6VA)
24VAC	SA90716DXSK	DIN	Option (3.6VA)
24VDC	SD90716FESK	Lead wire	Standard (2.5W)
24VDC	SD90716DESK	DIN	Option (2.5W)
12VDC	SD70716FESK	Lead wire	Standard (2.5W)
12VDC	SD70716DESK	DIN	Option (2.5W)

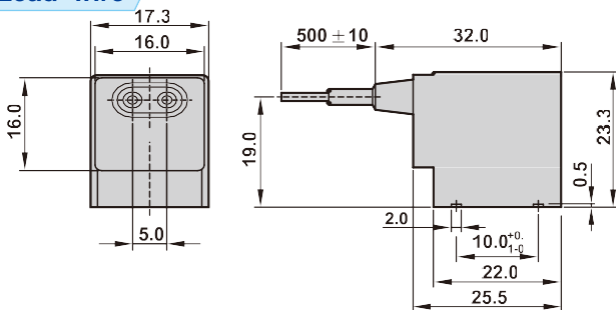
\* Special voltage on your request

### Specifications

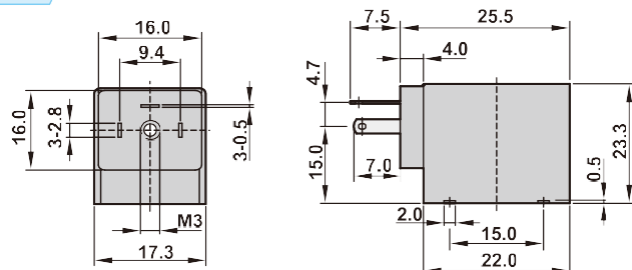
Coil width	16mm
Voltage tolerance	± 10%
Duty cycle	100% ED
Ambient temperature	-20°C ~ 50°C
Isolation class of material	F (according to Din VDE0580)
Degree of protection	IP65 (according to EN60529)
Moulding material	Thermoplastic (PA, PPS)
Rated power DC	2.5W
Rated power AC(60Hz)	4.5VA
Rated power AC(50Hz)	4.0VA
Type	Lead wire (Standard) or DIN(Option)

### Dimensions

#### Lead wire



#### DIN



### Coil nuts

Part no.	Material
NVS5000031	POM
Part no.	Material
KVS5000035	Metal