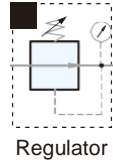


Series

**Symbol**



**Features**

1. Accurate and easy pressure setting.
2. Panel mounting is available.

**How to order**

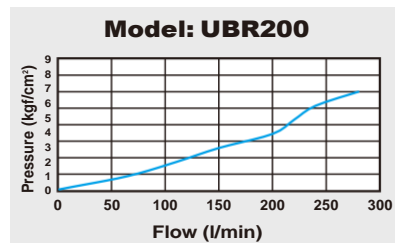
<b>UBR200</b>	<b>02</b>	<b>N</b>	<b>B</b>	<b>G</b>
Miniature Water Regulator	Port size	Thread	Mounting bracket	Pressure gauge
	<b>01</b> : 1/8" <b>02</b> : 1/4"	<b>Blank</b> :G <b>N</b> :NPT <b>R</b> :Rc	<b>Blank</b> :W/O bracket <b>B</b> :W/I bracket	<b>Blank</b> :W/O gauge <b>G</b> :W/I gauge

\*The secondary pressure is not allowed to be exhausted when it is higher than setting pressure.

**Specifications**

Model	UBR200
Port size	1/8", 1/4"
Fluid	Water
Regulator construction	Piston
Body material	Brass
Operating pressure range	0.5 ~ 7 kgf/cm <sup>2</sup>
Max. inlet pressure	10 kgf/cm <sup>2</sup>
Max. flow rate l/min	280
Ambient temperature	-10°C ~ 60°C
Net weight	310g
Accessories	Plug
Option	Pressure gauge, Mounting bracket set

**Flow chart**

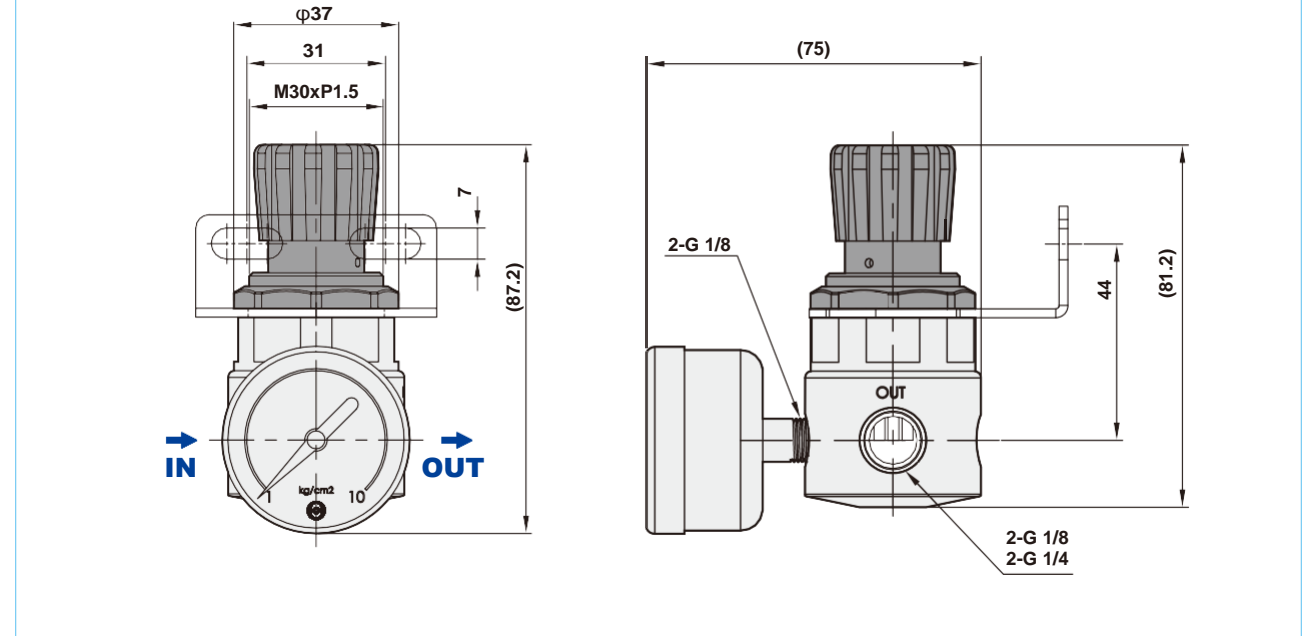


**Note:**

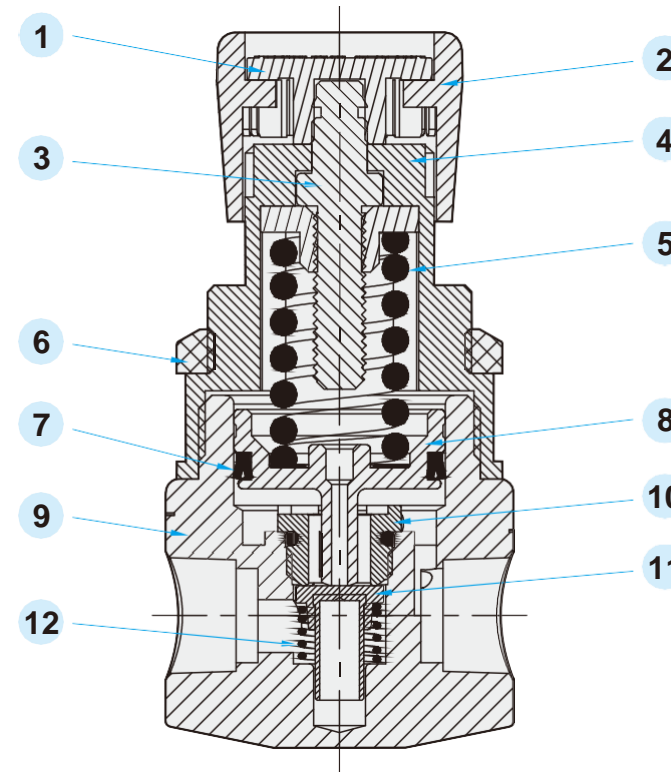
X axis: Flow (l/min)  
Y axis: Pressure (kgf/cm<sup>2</sup>)  
Blue line: Outlet pressure

**Dimensions**

**UBR200-01, 02**



**Construction**



No.	Description	Material
1	Regulator dome	NY
2	Regulator knob	NY
3	Pressure regulating screw	Fe+Ni
4	Regulator base	NY
5	Spring	SUS
6	Lock nut	NY
7	U type seal	EPDM
8	Piston	POM
9	Body	Cu
10	Positioning nut	POM
11	Regulator stem	EPDM+Cu
12	Spring	SUS