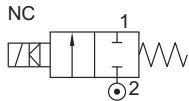
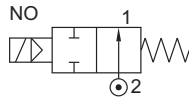


## 2/2 DIAPHRAGM OPERATED, NORMALLY CLOSED/ OPEN SOLENOID VALVE

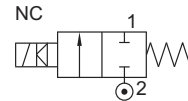
TYPE	PRESSURE
24109	0.5 - 10 bar



TYPE	PRESSURE
24201	0.5 - 10 bar
24202	1 - 20 bar
24203	0.2 - 4 bar



TYPE	PRESSURE
24101	0.5 - 10 bar
24102	1 - 20 bar
24103	0.2 - 4 bar



### FEATURES

- Bubble tight shut off
- Manual override optionally provided
- Vibration resistance up to 9g
- Suitable for high speed cycling
- Speed up to 100 cycles/ min.
- Life >2 million cycles

### WETTED PARTS

Code	※	B2	B12
Body	Powder Coated Die Cast Aluminium	Brass	CF8M
Diaphragm	Hytrell, Viton, NBR, EPDM		
Guide Assembly	SS 304		
Shadow-Ring	Copper / Silver / None		
Plunger, Insert	SS 430		
Spring	SS 302		
Seat, Seals	NBR, Viton, EPDM		
Fasteners	SS 304		

### AMBIENT AND FLUID TEMPERATURE

5° C to 80 °C

### SPECIAL VERSION AND SUFFIX

Suffix : (Valve) OX, AM, WO  
Special version : (Solenoid) CO, FR, SS, LC, III, TM

### MEDIA

Air, Inert gases, Water, Free flowing liquid, Oil, Diesel, Kerosene, LPG, CNG

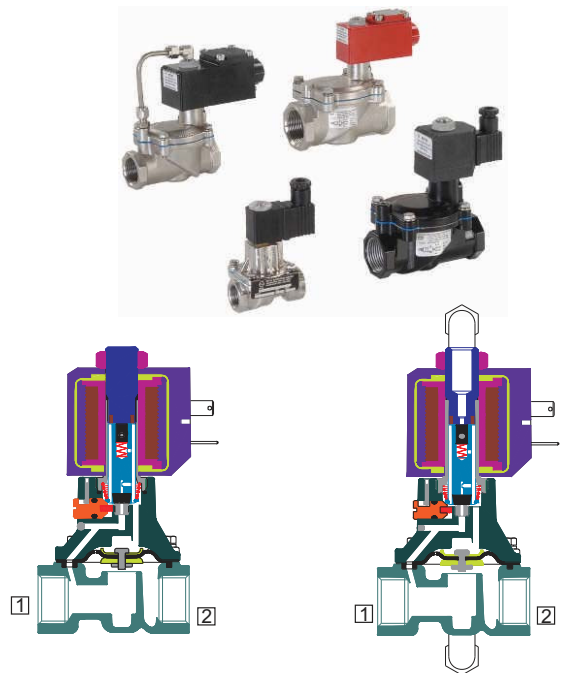
### APPLICATION

Drain, Deluge Valve operation, Dispensing

### PORT CONNECTION

ACTION	INLET	OUTLET
NC	2	1
NO	2	1

- Contact Rotex for
- Any other ambient, fluid temperature, media and application
  - UL listed, Listed general purpose Valve



### SPARES

(Refer page 25 for ordering code)

SPARE KIT	CODE
<b>Diaphragm Kit</b> : Diaphragm Set	100
<b>Seal Kit</b> : Oring Set, Diaphragm, Plunger Assembly	98
<b>Repair Kit</b> : Oring Set, Diaphragm, Plunger Assembly, Fastener, Springs, Manual Override	99
<b>Solenoid Kit</b> : Solenoid, Gasket and Nut	34

### APPROVAL

(\* applied for)

Approval	Nema 4X	IP67	Ex d IIC T4 or T5 or T6 IP66	Ex ia IIC T6 IP67	DGMS	CCOE
		✓	✓	✓	✓	✓
CE		✓	✓	✓		
UL	✓		*			
			✓	✓		
			✓	✓		
			✓	✓		

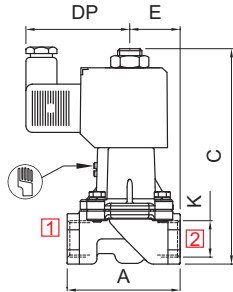


## 2/2 DIAPHRAGM OPERATED, NORMALLY CLOSED/ OPEN SOLENOID VALVE

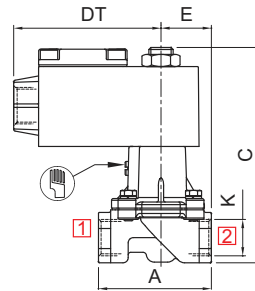
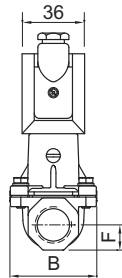
### ORDERING CODE VALVE + SOLENOID

TYPE – SUFFIX – ORIFICE – PORT CONNECTION – BODY AND INTERNALS – MANUAL OVERRIDE – SEAL  
 SIZE – VOLTAGE – CURRENT – SOLENOID ENCLOSURE – APPROVAL – INSULATION – SPECIAL VERSION  
 e.g. 24101-12-4G+220V 50Hz-22; 24102-25-B12-M6-S2+220V 50Hz-16

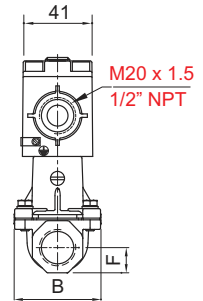
### DIMENSIONS All Dimensions are in mm



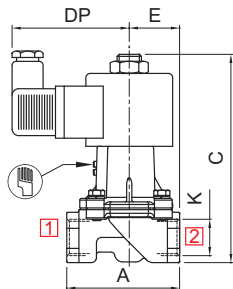
MANUAL OVERRIDE OPTIONALLY PROVIDED  
**PLUG IN SOLENOID TYPE 22**



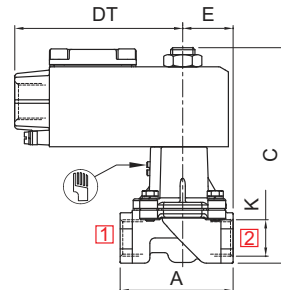
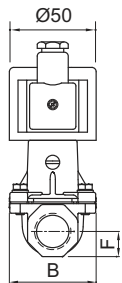
MANUAL OVERRIDE OPTIONALLY PROVIDED  
**TERMINAL BOX/ Ex d LARGE ENCLOSURE, TYPE 16, 19, 37, 39, LC**



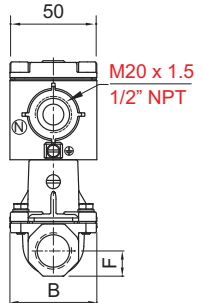
NW	K (PORT SIZE)	A	B	C	DP	DT	E	F	CONST. REF.
<b>VALVE TYPE : 24101, 24102, 24103</b>									
12	1/2", 3/8", 1/4"	65	50	124	60	85	29	15	29
20	3/4"	84	64	134	60	85	42	17	30
25	1"	110	93	148	60	85	51	25	31
50	2"	165	170	186	60	85	76	38	32



MANUAL OVERRIDE OPTIONALLY PROVIDED  
**SQUARE PLUG IN SOLENOID TYPE 25**



MANUAL OVERRIDE OPTIONALLY PROVIDED  
**TERMINAL BOX/ Ex d LARGE ENCLOSURE, TYPE 16, 19, 37, 39, LC**

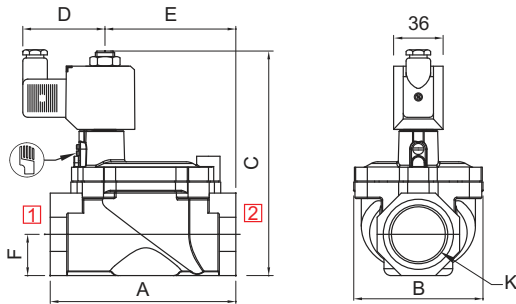


NW	K (PORT SIZE)	A	B	C	DP	DT	E	F	CONST. REF.
<b>VALVE TYPE : 24101, 24102, 24103</b>									
12	1/2", 3/8", 1/4"	65	50	124	66	97	29	15	29
20	3/4"	84	64	134	66	97	42	17	30
25	1"	110	93	148	66	97	51	25	31
50	2"	165	170	186	66	97	76	38	32

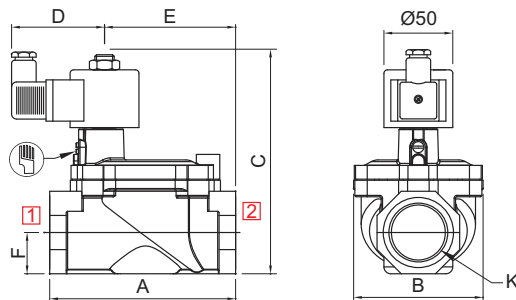
## 2/2 DIAPHRAGM OPERATED, NORMALLY CLOSED/ OPEN SOLENOID VALVE

### DIMENSIONS

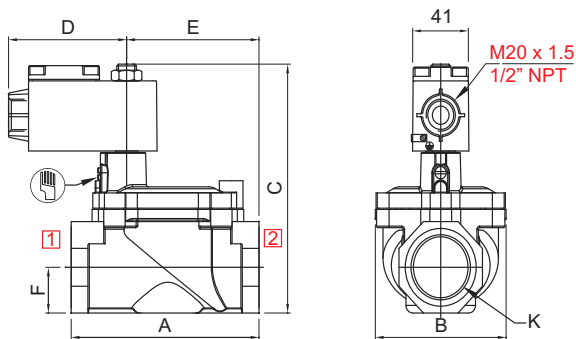
All Dimensions are in mm



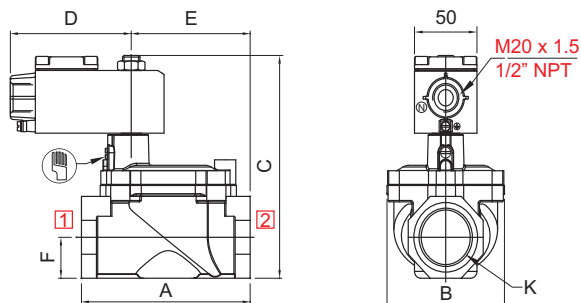
MANUAL OVERRIDE OPTIONALLY PROVIDED



MANUAL OVERRIDE OPTIONALLY PROVIDED



MANUAL OVERRIDE OPTIONALLY PROVIDED



MANUAL OVERRIDE OPTIONALLY PROVIDED

#### PLUG IN SOLENOID TYPE 22

NW	K (PORT SIZE)	A	B	C	D	E	F	CONST. REF.
VALVE TYPE : 24109, 24101								
25	1"	110	82	146	60	76	22	33
40	1 1/4"	135	94	163	60	95	30	34
40	1 1/2"	135	94	163	60	95	30	35
50	2"	165	140	180	60	128	38	36
65	2 1/2"	200	169	205	60	159	45	54
80	3"	235	198	230	60	194	53	56

#### SQUARE PLUG IN SOLENOID TYPE 25

NW	K (PORT SIZE)	A	B	C	D	E	F	CONST. REF.
VALVE TYPE : 24109, 24101								
25	1"	110	82	146	68	76	22	33
40	1 1/4"	135	94	163	68	95	30	34
40	1 1/2"	135	94	163	68	95	30	35
50	2"	165	140	180	68	128	38	36
65	2 1/2"	200	169	205	68	159	45	54
80	3"	235	198	230	68	194	53	56

#### TERMINAL BOX/ Ex d ENCLOSURE, TYPE 16, 19, 37, 39

NW	K (PORT SIZE)	A	B	C	D	E	F	CONST. REF.
VALVE TYPE : 24109, 24101								
25	1"	110	82	146	85	76	22	33
40	1 1/4"	135	94	163	85	95	30	34
40	1 1/2"	135	94	163	85	95	30	35
50	2"	165	140	180	85	128	38	36
65	2 1/2"	200	169	205	85	159	45	54
80	3"	235	198	230	85	194	53	56

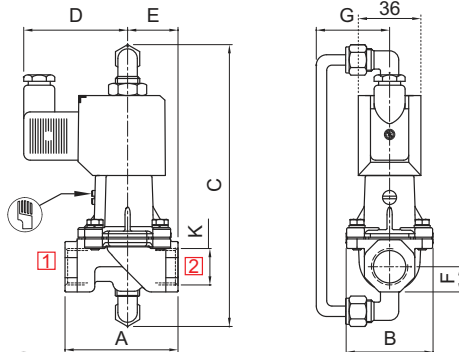
#### TERMINAL BOX/ Ex d LARGE ENCLOSURE, TYPE 16, 19, 37, 39, LC

NW	K (PORT SIZE)	A	B	C	D	E	F	CONST. REF.
VALVE TYPE : 24109, 24101								
25	1"	110	82	146	97	76	22	33
40	1 1/4"	135	94	163	97	95	30	34
40	1 1/2"	135	94	163	97	95	30	35
50	2"	165	140	180	97	128	38	36
65	2 1/2"	200	169	205	97	159	45	54
80	3"	235	198	230	97	194	53	56

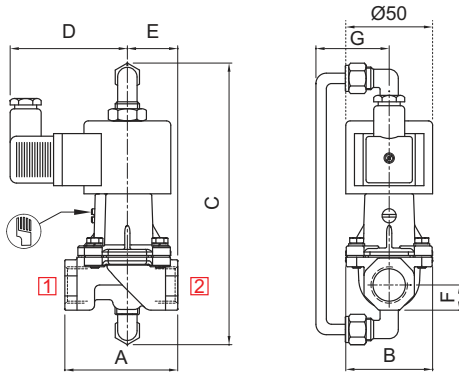
## 2/2 DIAPHRAGM OPERATED, NORMALLY CLOSED/ OPEN SOLENOID VALVE

### DIMENSIONS

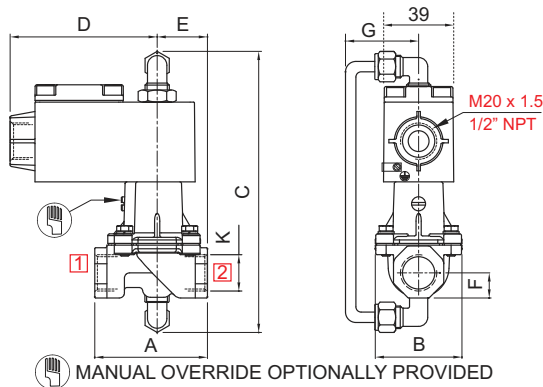
All Dimensions are in mm



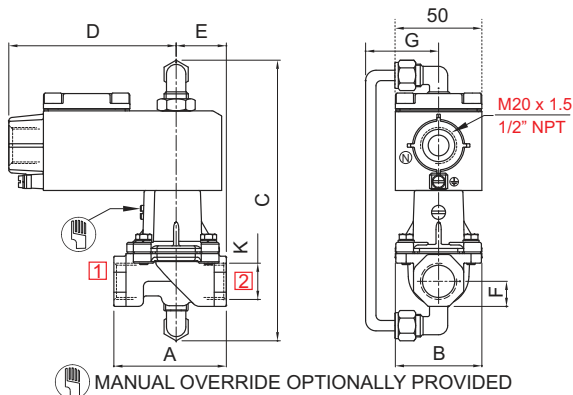
MANUAL OVERRIDE OPTIONALLY PROVIDED



MANUAL OVERRIDE OPTIONALLY PROVIDED



MANUAL OVERRIDE OPTIONALLY PROVIDED



MANUAL OVERRIDE OPTIONALLY PROVIDED

### PLUG IN SOLENOID TYPE 22

NW	K (PORT SIZE)	A	B	C	D	E	F	G	CONST. REF.
VALVE TYPE : 24201									
12	1/2", 3/8", 1/4"	65	50	163	60	29	15	42	37
20	3/4"	84	64	178	60	42	17	48	38
25	1"	110	93	187	60	51	25	61	39
50	2"	165	170	227	60	76	38	101	40

### SQUARE PLUG IN SOLENOID TYPE 25

NW	K (PORT SIZE)	A	B	C	D	E	F	G	CONST. REF.
VALVE TYPE : 24201									
12	1/2", 3/8", 1/4"	65	50	163	68	29	15	42	37
20	3/4"	84	64	178	68	42	17	48	38
25	1"	110	93	187	68	51	25	61	39
50	2"	165	170	227	68	76	38	101	40

### TERMINAL BOX/ Ex d ENCLOSURE, TYPE 16, 19, 37, 39

NW	K (PORT SIZE)	A	B	C	D	E	F	G	CONST. REF.
VALVE TYPE : 24201									
12	1/2", 3/8", 1/4"	65	50	163	85	29	15	42	37
20	3/4"	84	64	178	85	42	17	48	38
25	1"	110	93	187	85	51	25	61	39
50	2"	165	170	227	85	76	38	101	40

### TERMINAL BOX/ Ex d LARGE ENCLOSURE, TYPE 16, 19, 37, 39, LC

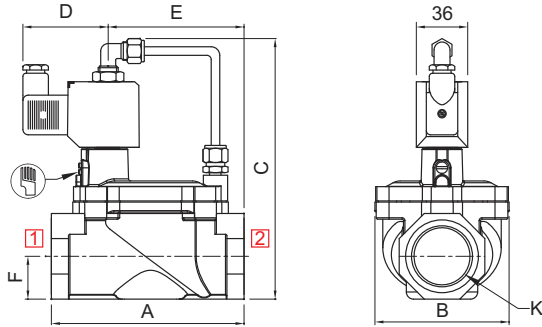
NW	K (PORT SIZE)	A	B	C	D	E	F	G	CONST. REF.
VALVE TYPE : 24201									
12	1/2", 3/8", 1/4"	65	50	163	97	29	15	42	37
20	3/4"	84	64	178	97	42	17	48	38
25	1"	110	93	187	97	51	25	61	39
50	2"	165	170	227	97	76	38	101	40



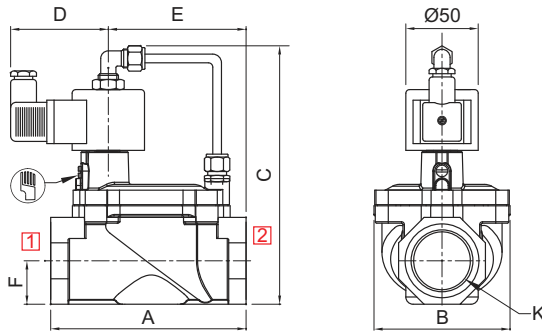
## 2/2 DIAPHRAGM OPERATED, NORMALLY CLOSED/ OPEN SOLENOID VALVE

### DIMENSIONS

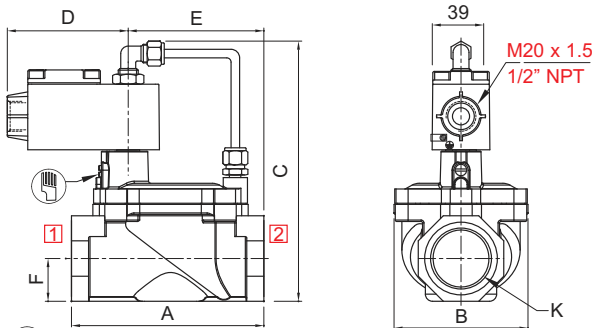
All Dimensions are in mm



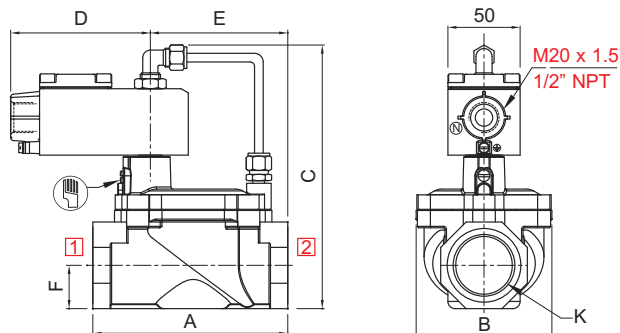
MANUAL OVERRIDE OPTIONALLY PROVIDED



MANUAL OVERRIDE OPTIONALLY PROVIDED



MANUAL OVERRIDE OPTIONALLY PROVIDED



MANUAL OVERRIDE OPTIONALLY PROVIDED

### PLUG IN SOLENOID TYPE 22

NW	K (PORT SIZE)	A	B	C	D	E	F	CONST. REF.
VALVE TYPE : 24209, 24201								
25	1"	110	82	164	60	76	22	41
40	1 1/4"	135	94	182	60	95	30	42
40	1 1/2"	135	94	182	60	95	30	43
50	2"	185	140	200	60	128	38	44
65	2 1/2"	200	169	205	60	159	45	83
80	3"	235	198	230	60	194	53	89

### SQUARE PLUG IN SOLENOID TYPE 25

NW	K (PORT SIZE)	A	B	C	D	E	F	CONST. REF.
VALVE TYPE : 24209, 24201								
25	1"	110	82	164	68	76	22	41
40	1 1/4"	135	94	182	68	95	30	42
40	1 1/2"	135	94	182	68	95	30	43
50	2"	185	140	200	68	128	38	44
65	2 1/2"	200	169	205	68	159	45	83
80	3"	235	198	230	68	194	53	89

### TERMINAL BOX/ Ex d ENCLOSURE, TYPE 16, 19, 37, 39

NW	K (PORT SIZE)	A	B	C	D	E	F	CONST. REF.
VALVE TYPE : 24209, 24201								
25	1"	110	82	164	85	76	22	41
40	1 1/4"	135	94	182	85	95	30	42
40	1 1/2"	135	94	182	85	95	30	43
50	2"	185	140	200	85	128	38	44
65	2 1/2"	200	169	205	85	159	45	83
80	3"	235	198	230	85	194	53	89

### TERMINAL BOX/ Ex d LARGE ENCLOSURE, TYPE 16, 19, 37, 39, LC

NW	K (PORT SIZE)	A	B	C	D	E	F	CONST. REF.
VALVE TYPE : 24209, 24201								
25	1"	110	82	164	97	76	22	41
40	1 1/4"	135	94	182	97	95	30	42
40	1 1/2"	135	94	182	97	95	30	43
50	2"	185	140	200	97	128	38	44
65	2 1/2"	200	169	205	97	159	45	83
80	3"	235	198	230	97	194	53	89