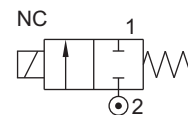


2/2 DIRECT ACTING HIGH PRESSURE SOLENOID VALVE

TYPE	PRESSURE

TYPE	PRESSURE

TYPE	PRESSURE
20116V01	0 - 400 bar



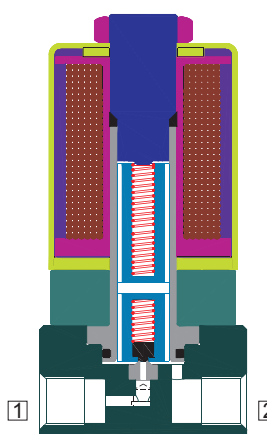
FEATURES

- Bubble tight shut off
- Mounts in any position
- Vibration resistance up to 9g
- Suitable for high speed cycling
- Speed up to 300 cycles/ min
- Life >2 million cycles



WETTED PARTS

Code		B5
Body		SS 316
Internals		SS 316
Guide Assembly	SS 304	
Shadow-Ring	None	
Plunger, Insert	SS 430	
Spring	SS 302	
Seat, Seals	PTFE, Viton	
Fasteners	SS 304	



AMBIENT AND FLUID TEMPERATURE

-20 °C to 80 °C

SPECIAL VERSION AND SUFFIX

Suffix : (Valve) AM
Special version : (Solenoid) CO, FR, SS, LC, TM

MEDIA

Air, Inert Gases, Water, Vacuum, Free Flowing Liquids, Oil, Diesel, Kerosene, LPG, CNG

APPLICATION

Fuel Gas Cutoff

PORT CONNECTION

FUNCTION	INLET	OUTLET
NC	2	1

Contact Rotex for
• Any other ambient, fluid temperature, media and application

SPARES

(Refer page 25 for ordering code)

SPARE KIT	CODE
Seal Kit : Oring Set, Plunger Assembly	98
Repair Kit : Oring Set, Plunger Assembly, Springs, Guide Assembly	99
Solenoid Kit : Solenoid, Gasket , Nut	34

APPROVAL

(* applied for)

Approval	TYPE 4X, 6P	IP67	Ex d IIC T4 or T5 or T6 IP66	Ex ia IIC T6 IP67	DGMS	CCOE
		✓	✓	✓	✓	✓
CE		✓	✓	✓		
UL	✓		*			
			✓	✓		
ERC			✓	✓		
			✓	✓		



6

1/2 DIRECT ACTING HIGH PRESSURE SOLENOID VALVE

SPECIFICATION

PORT CONNECTION	PRE-SSURE bar	MINIMUM	MAXIMUM	ORIFICE (mm)	FLOW FACTOR KV (LPM OF WATER @ 1 bar ΔP)	VALVE TYPE	PILOT PRESSURE	BODY MATERIAL AND INTERNALS		SEALS					MANUAL OVERRIDE	SOLENOID ENCLOSURE				SUFFIX		POWER VA		CONSTRUCTION REFERENCE NUMBER
								ALUMINIUM	ALUMINIUM + SS	BRASS (STD. PORT NPT)	SS 316 (STD. PORT NPT)	NBR	Viton	EPDM		HYTREL	PTFE	NIL	STAYPUT CUM MOMENTARY	MOMENTARY	FLYING LEAD	PLUG IN, IP67	SQ. PLUG IN, IP67	

2/2 NORMALLY CLOSED

1/4"	2R	0	300	1.6	0.6	20116V01					B5				S4	*				25	T	E	18	✓	20	20	20	91
		0	400	1.2	0.5	20116V01					B5				S4	*				25	T	E	18	✓	20	20	20	91
1/2"	4R	0	300	1.6	0.6	20116V01					B5				S4	*				25	T	E	18	✓	20	20	20	92
		0	400	1.2	0.5	20116V01					B5				S4	*				25	T	E	18	✓	20	20	20	92

SOLENOID 18			
Cable Entry	T	Øc/a	E
M20 x 1.5	FJ	11TÜ	H IITÜ
M25 x 1.5	F	ii	ii IISV
1/2" NPT	F	11bÜ	H IIPÜ

* = Do not specify when opted for. Refer Page # 22 for Value of *
 ✓ = Options available

6

ORDERING CODE AND EXAMPLE VALVE + SOLENOID

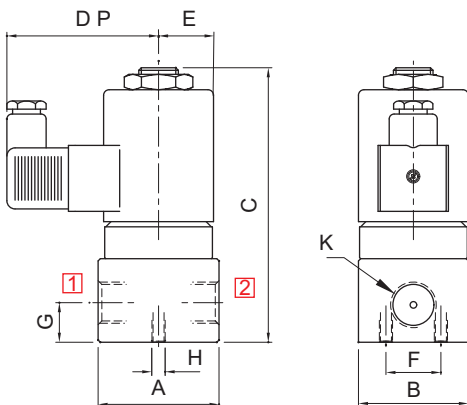
TYPE - SUFFIX - ORIFICE - PORT CONNECTION - BODY AND INTERNALS - SEAL +

SIZE - VOLTAGE - CURRENT - SOLENOID ENCLOSURE - SPECIAL VERSION - POWER - INSULATION - APPROVAL

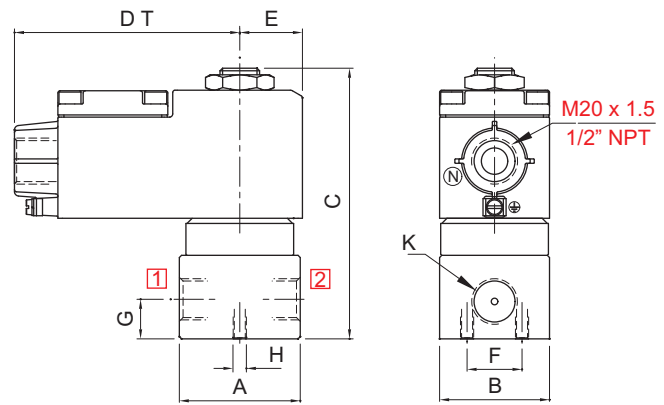
e.g. 20116V01-1.2-2R-B5-S4+II-230V 50Hz-25-RC-LW20; 20116V01-1.6-2R-B5-S4+II-24V DC-16-LW20-H

DIMENSIONS

All Dimensions are in mm

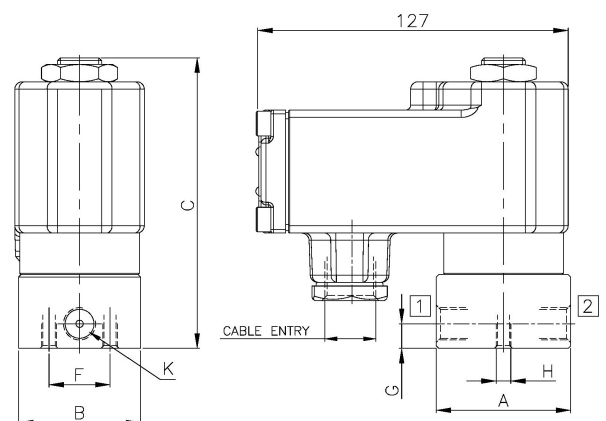


PLUG IN SOLENOID TYPE 22/ 25



TERMINAL BOX/ Ex d/ TYPE 16, 19, 37, 39, 58, 58LT

K (PORT SIZE)	A	B	C	DP	DT	E	F	G	H	CONST. REF.
VALVE TYPE : 20116V01										
1/4"	55	50	115	66	104	28	25	10	M6	91
1/2"	55	50	123	66	104	28	25	14	M6	92



PLUG IN SOLENOID TYPE 87

