

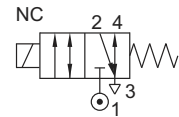
SERIES : 32D

3/2 DIRECT ACTING NAMUR SOLENOID VALVE

TYPE	PRESSURE

TYPE	PRESSURE

TYPE	PRESSURE
30318	0 - 10 bar

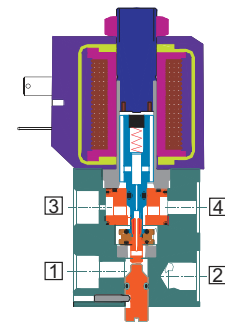


FEATURES

- Ideally suited for Spring Return Actuator
- Exhaust purged into spring chamber
- Higher flow for faster operation
- Air and power fail to return
- Non return plug fitted on the exhaust port

WETTED PARTS

Code	※	B1	B5
Body	Anodized Aluminium	Anodized Aluminium	SS 316
Internals	Aluminium, Brass and SS 316	SS 316	SS 316
Guide Assembly	SS 304		
Shadow-Ring	None		
Plunger, Insert	SS 430		
Spring	SS 302		
Fasteners	SS 304		
Seat, Seals	NBR, Viton, Viton GLT, F Silicon		



AMBIENT AND FLUID TEMPERATURE

-20 °C to 80 °C

SPECIAL VERSION AND SUFFIX

Suffix : (Valve) AM, WO
 Special version : (Solenoid) CO, FR, SS, LC, III

MEDIA

Air, Inert Gases, Water

APPLICATION

Operation of single acting actuator

PORT CONNECTION

INLET	OUTLET	OUTLET	EXHAUST
1	2	4	3

Contact Rotex for

- Any other ambient, fluid temperature, media and application
- UL listed, Listed general purpose Valve
- SIL4 approved valve



For Valve type 30318 operated with AC voltage select inbuilt full rectified special version of solenoid with option FR

SPARES

(Refer page 25 for ordering code)

SPARE KIT	CODE
Seal Kit : Oring Set and Plunger Assembly	98
Repair Kit : Oring Set, Plunger Assembly, Fastener, Springs, Manual Override	99
Solenoid Kit : Solenoid, Gasket and Nut	34

APPROVAL

(* applied for)

Approval	Nema 4X	IP67	Ex d IIC T4 or T5 or T6 IP66	Ex ia IIC T6 IP67	DGMS	CCOE
		✓	✓	✓	✓	✓
		✓	✓	✓		
	✓		*			
			✓	✓		
			✓	✓		
			✓	✓		



3/2 DIRECT ACTING NAMUR SOLENOID VALVE

SPECIFICATION

PORT CONNECTION			PRE-SSURE bar	ORIFICE (mm)		VALVE TYPE	PILOT PRESSURE	BODY MATERIAL AND INTERNALS				SEALS		MANUAL OVERRIDE		SOLENOID ENCLOSURE		OUTLET PORT	POWER VA		CONSTRUCTION REFERENCE NUMBER						
SIZE	BSP(F)	NPT(F)	MINIMUM	MAXIMUM	FLOW FACTOR kv (LPM OF WATER @ 1 bar ΔP)			ALUMINIUM	ALUMINIUM + SS	BRASS (STD. PORT NPT)	SS 316/CF8M (STD. PORT NPT)	NBR	Viton	EPDM	Viton GLT	F Silicon	NIL		STAYPUT CUM MOMENTARY	FLYING LEAD		PLUG IN, IP67	SQ. PLUG IN, IP67	TERMINAL BOX IP67	FPJB Ex d IIC, T4 OR T6, IP67	LARGE ENCLOSURE	SOLENOID SIZE
1/4"	2G	2R	0	10	5	9	30318	*	B1	B5	*	S2	S2GS19	M0	*	M8	22	25	T	E	III	14	2	8	8	8	N5

3/2 ON/ OFF APPLICATION

Cable Entry	T	E
M20 x 1.5	19	39
1/2" NPT	16	37

* = Do not specify when opted for

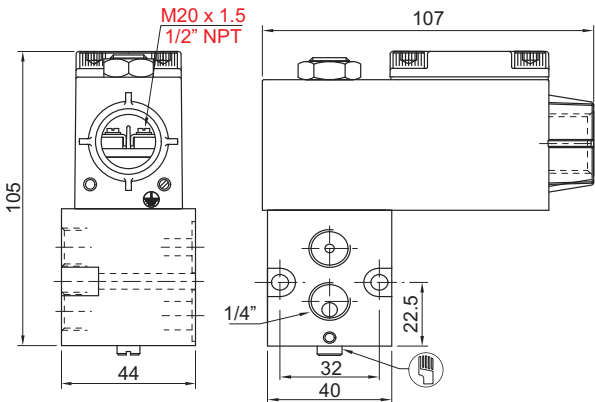
ORDERING CODE, EXAMPLE VALVE + SOLENOID

TYPE - SUFFIX - ORIFICE - PORT CONNECTION - BODY AND INTERNALS - MANUAL OVERRIDE - SEAL + SIZE - VOLTAGE - CURRENT - SOLENOID ENCLOSURE - APPROVAL - INSULATION - SPECIAL VERSION
 e.g. 30318-5-2R-B5+220V AC-37-FR

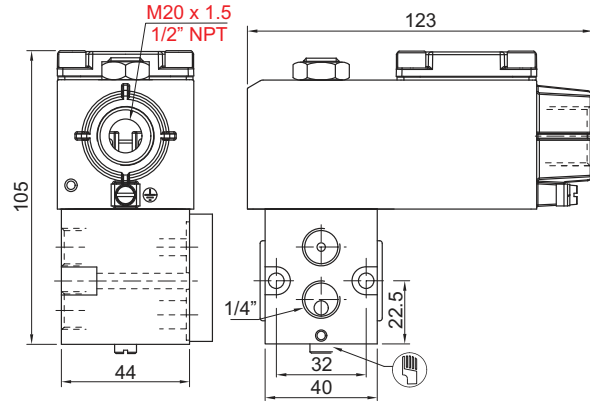
DIMENSIONS

All Dimensions are in mm

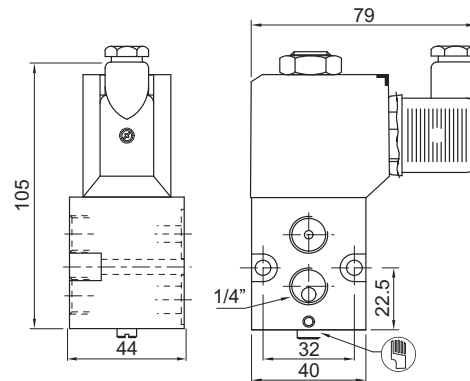
CONSTRUCTION REFERENCE N5



TERMINAL BOX/ Ex d TYPE 16, 19, 37, 39



TERMINAL BOX/ Ex d LARGE ENCLOSURE, TYPE 16, 19, 37, 39



PLUG IN SOLENOID TYPE 22/ 25