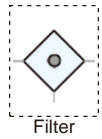


Symbol



Features

1. UMF series effectively removes oil, water, carbon and particle.
2. With 0.01µm glass fiber filter element.
3. High quality control ensures stable running and long life.
4. Convenient to see air quality from pressure indicator, prevent the filter element from clogging.

Note: Please install air filter UF series upstream to extend life of filter element.



How to order

UMF	Port size	Thread	Filtration	Drain	Mounting	Bowl
02	1/4"	Blank:G	Blank:0.01µm	Blank:Semi-auto drain	Blank:W/O bracket	Blank:Standard bowl
03	3/8"	N :NPT	L :0.1µm	H :Manual drain	B :W/I bracket	A :Anti-acid & alkali bowl
04	1/2"	R :Rc	K :0.01µm Activated charcoal filter element			AL :Aluminum bowl (1/4", 3/8", 1/2")
06	3/4"					
08	1"					

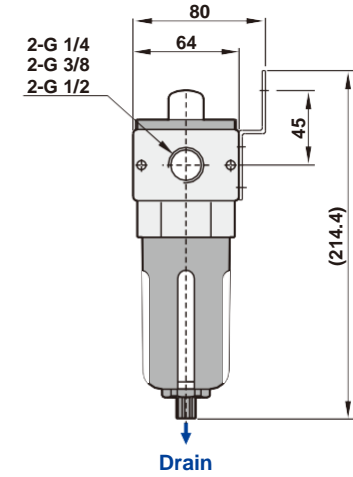
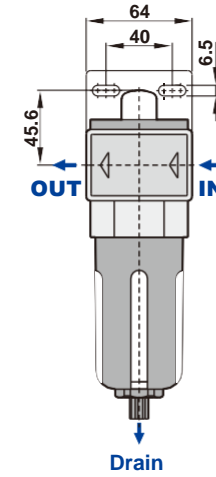
Specifications

Model	UMF-02	UMF-03	UMF-04	UMF-06	UMF-08
Port size	1/4"	3/8"	1/2"	3/4"	1"
Fluid	Compressed air				
Body material	Aluminum die-cast				
Bowl material	Polycarbonate (Standard), Anti-acid & alkali bowl (Option), Aluminum bowl (Option)				
Filtration	0.01µm				
Operating pressure range	0.5 ~ 9.9 kgf/cm ²				
Proof pressure (Standrd bowl)	15 kgf/cm ²				
Max. flow rate l/min(ANR)	2050	2100	2150	3800	3850
Ambient temperature	-10°C ~ 60°C				
Filter bowl capacity	65cc		115cc		
Standard drain	Semi-auto drain (Drains below 0.5kgf/cm ²)				
Net weight	600g		1200g		
Option	Mounting bracket set				

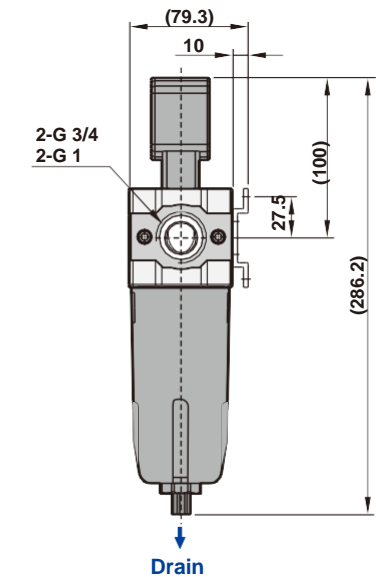
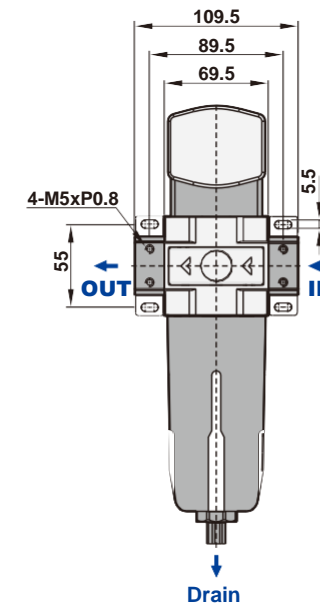
P1-73

Dimensions

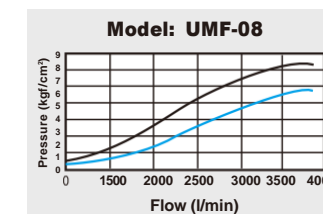
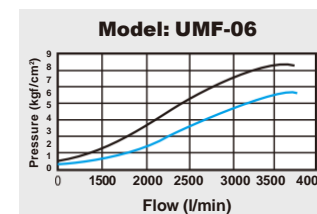
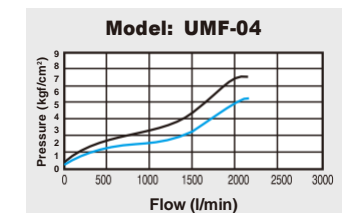
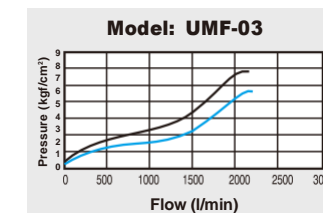
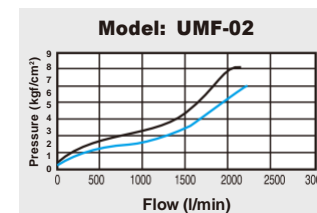
UMF-02, 03, 04



UMF-06, 08



Flow chart



Note:

X axis: Flow (l/min)
Y axis: Pressure (kgf/cm²)
Blue line (P0) = Outlet pressure
Black line (P1) = Inlet pressure
P1-P0=Pressure range

P1-74