

WRAS Brass Ball Valve – ISO5211



Screwed BSPP, ISO 5211 Connection for Direct Mount

Pressure / Temperature Specifications

Pressure	40 Bar
Temperature	-20°C to 95°C

Material Specifications

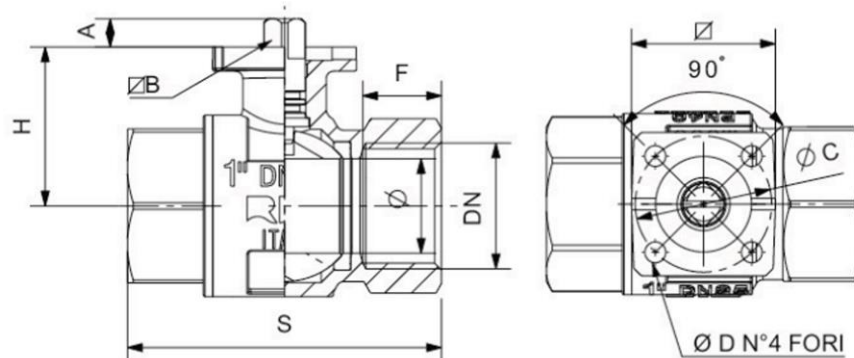
Body	Brass CW 617 N
Ball	Brass CW 617 N
Seats	PTFE
Stem	Brass CW 614 N
O-rings	Viton



Torque (Nm)						
1/2"	3/4"	1"	1 1/4"	1 1/2"	2"	
4.2	4.8	5.5	11.5	18.0	22.0	

Flow Rates (KV)						
1/2"	3/4"	1"	1 1/4"	1 1/2"	2"	
16.3	29.5	43.0	89.0	230.0	265.0	

Dimensions		H	S	F	A	C	ISO	ØD	□	□B	Kg
Size	Ø										
1/2"	15	31	59	17	7	36	F03	5.5	38	9	0.3
3/4"	20	37	69	18	8	36	F03	5.5	38	9	0.4
1"	25	41	83	22	8	36	F03	5.5	38	9	0.7
1 1/4"	32	46.5	94	24	14.5	50	F05	6.5	50	14	1.1
1 1/2"	40	58	102	24	14.5	50	F05	6.5	50	14	1.4
2"	50	65.5	124	28	14.5	50	F05	6.5	50	14	2.2



Connexion WRASBV