

# Molded connector, form A, analogue with EN 175301-803 (ISO 4400)

## Molded sheathing

Color	anthracite (translucent)
Material	TPU
Imprint	circuit diagram; white; on front side

## Terminal block

Material	PA6 GF15
Poles	2 + 2 PE
Direction of protecting earth	6/12 h
Contact distance	18 mm

## Cable

Jacket	PVC, black
Internal cores	yellow/green, blue, brown
Cores x cross-section	3 x 0,75 mm <sup>2</sup>
Outer diameter	ca. 6,7 mm
Length (L)	5,00 m
Stripping (A)	30,0 mm
Core ends	equipped with wire end sleeves
Temperature range (fix)	-30 ... +80°C
Temperature range (flexible)	-5 ... +70°C

## Contacts

Material	CuZn, coated with Cu/Sn
Forward resistances	< 15 mOhm

## Gasket

Type	TPU, molded
------	-------------

## Fastening screw

Material	A2-50 (stainless steel)
Size	M3 x 26,0 mm
Recess type	cross recess (type H) with longitudinal slot
Tightening torque	0,4 ± 0,1 Nm

## Circuit

Built-in electronics	n/a
LED	n/a
Protecting element	n/a
Voltage range	0 V - 250 V
Current type	AC/DC
Operating current	max. 10,00 A (Derating is to be considered.)
Protection against wrong polarity	yes

## General properties

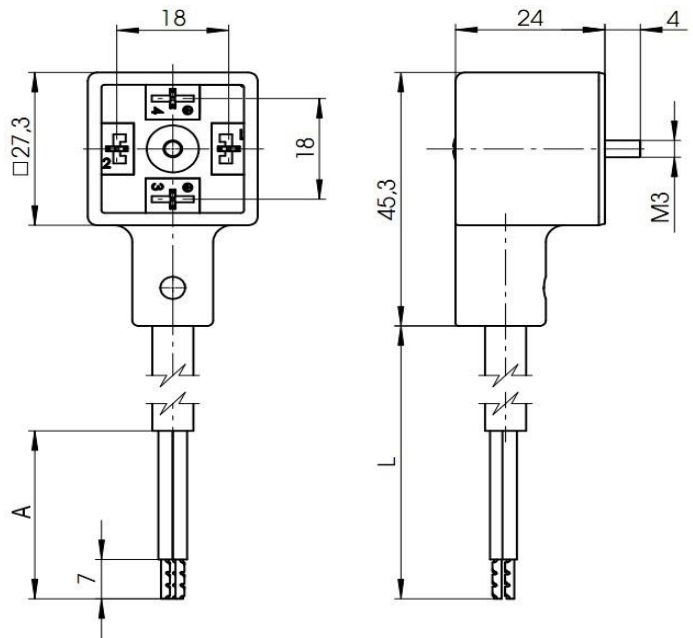
Temperature range *	-25 ... +90°C
RoHS	yes
Protection grade (IEC 60529) **	IP67

## Packaging

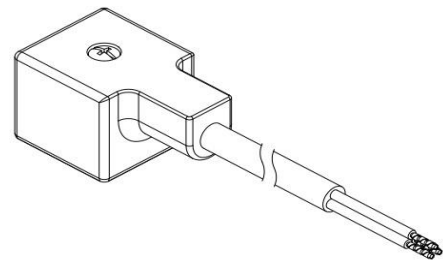
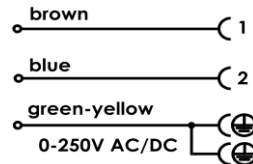
Single packaging. The molded connector is single packed in the plastic bag and inserted into the cardboard box. Fastening screw is inserted into the plastic bag. Product informations are displayed on the label of the plastic bag. Kunststoffbeutel Größe ist 200X300mm.

\* Depends on the connected cable.

\*\* Must be tested in properly mounted state on the counterpart.



## Imprint



				Zulässige Abweichung für Maße ohne Toleranzangabe Unless otherwise specified tolerances	Format/Size: A4	Maßstab/Scale:	Gewicht/Weight: 370 g/pcs				
				DIN ISO 2768-v	Werkstoff: Material:						
				Schutzvermerk ISO 16016 beachten Observe protection note ISO 16016	Benennung: Title:	Molded con A2+2E12 PVC3x0,75 5,00m oS					
1	31323	21.03.2022	TTO		Ident. - Nr.:	611-202-0299	Freigabe-Nr.: Approval no.:	25306	Blatt: Sheet:	1/1	
Geprüft: Checked:	21.03.2022 JONAS				Ersatz für/Replacement for:						
Erstellt: Created:	27.02.2014 KROZSER										