

Connector, form B, industrial type

Housing

Type one-piece
 Color black
 Material PA6 GF30
 Imprint n/a

Cable gland

Thread M16 x 1,5 mm
 Cable diameter 4-6 mm
 Color black
 Material PA6 GF30
 Tightening torque 1,8 ± 0,2 Nm

Terminal block

Material PA6 GF30
 Poles 2 + PE
 Direction of protecting earth 12 h
 Contact distance 11 mm

Contacts

Material CuZn, tin-plated
 Resistance < 15 mOhm
 Conductor cross-section 0,5 - 1,5 mm²
 Tightening torque max. 0,3 Nm
 Wire protection use of wire end sleeves is recommended

Gasket

Material NBR, black
 Type profile

Fastening screw

Material steel 4.8, zinc-plated
 Size M3 x 33,5 mm (with cross recess)
 Tightening torque 0,4 ± 0,1 Nm
 Sealing washer n/a

Circuit

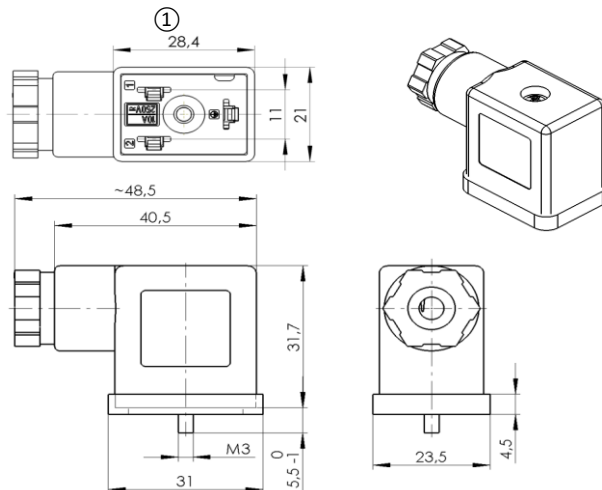
Circuit n/a
 Color of LED n/a
 Protecting element n/a
 Voltage 0 - 250 V +15%
 Current type AC / DC
 Operating current max. 10 A
 Protecting against wrong polarity yes

General properties

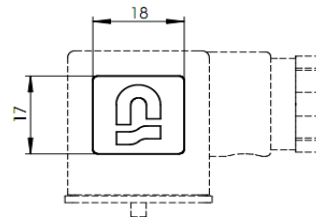
Ambient temperature range -25°C ... +90°C
 RoHS yes
 CSA approval n/a

Packaging

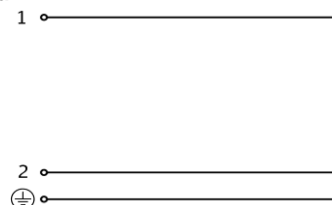
100 pcs packaging. Terminal block and housing are packed in pre-assembled condition. Cable gland components are pre-assembled in housing. Fastening screw is inserted in the packet in packaged condition. Profile gasket is inserted into the packet in packaged condition.



Logo



Circuit diagram



				Zulässige Abweichung für Maße ohne Toleranzangabe Unless otherwise specified tolerances DIN ISO 2768-v	Format/Size: A4	Maßstab/Scale:	Gewicht/Weight:
				Schutzvermerk beachten Observe protection note ISO 16016	Benennung: Title: Connector field att. I oS		
1	31379	11.04.2022	GJO		Ident. - Nr.: 612-201-0006	Freigabe-Nr.: Approval no.: 27722	Blatt: Sheet: 1/1
Ind Rev	Änderung-Nr. Change no.	Datum Date	Name By		Ersatz für/Replacement for:		
Geprüft: 11.04.2022 Checked: TOH_T Erstellt: 02.05.2017 Created: MANGRA							