

Media: air – water – gas – oil
 Pressure range: 0 to 40 Bar max
 Media temp: -20°C to +95°C max
 Ambient temp: -20°C to +70°C
 Mounting: Any position
 Cycles: 20,000
 Opening/Closing: 10-15 Sec
 Duty cycle: 75% (min 1 min stop between cycles for cooling)

Actuated WRAS Ball Valve

1/4 – 2"

Power Open/Close + Failsafe

ISO5211 2 WAY DIRECT

0 – 40 Bar

TYPE CNX20WRAS



PRESSURE

Ø Port BSP	Orifice (mm)	Flow Kv	Min (Bar)	Max at Ambient Temp (Bar)	Part Number
1/2	15	16.3	0	40	CNX20 + WRASBV12 + voltage + option
3/4	20	29.5	0	40	CNX20 + WRASBV34 + voltage + option
1	25	43	0	40	CNX20 + WRASBV1 + voltage + option
1 1/4	32	89	0	40	CNX20 + WRASBV114 + voltage + option
1 1/2	40	230	0	40	CNX20 + WRASBV112 + voltage + option
2	50	265	0	40	CNX20 + WRASBV2 + voltage + option

CNX20 ACTUATOR OPTIONS

Visual Position Indicator, Manual Over Ride, 2x volt free open + closed feedback switches + 0.6W anti condensation heater
 Low Voltage: 12vDC or 24vAC/DC Basic actuator, Power Open / Power Close (power off valve stays in current position)
 High Voltage: 95-265vAC Power Open / Power Close (power off valve stays in current position)

Included
Included

FAILSAFE AUTO RETURN

Low Voltage: 12vDC or 24vAC/DC Failsafe return (power off valve automatically returns to start position) (FSC closed or FSO open)
 High Voltage: 95-265vAC Failsafe return (power off valve automatically returns to start position) (FSC closed or FSO open)

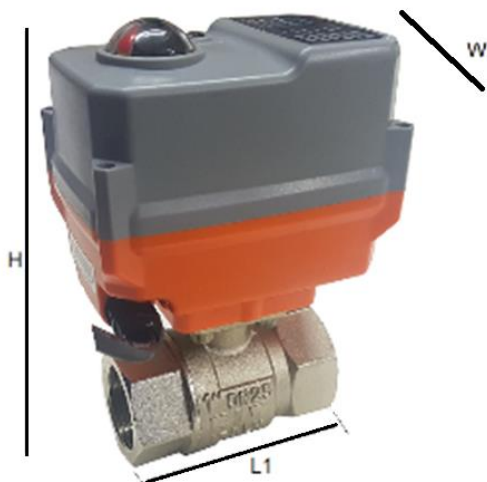
TECHNICAL DATA

Rated Voltage	Voltage Range	Torque Break Working	Power Consumption			Fuse AMP		Run time	IP
			Standard	Failsafe	Max Amp	STD	Failsafe		
12v DC	10–15v	25NM 20NM	15W	36W	0.94 Amp	2 A	2A	15 Sec	IP67
24v AC or DC	22-26v					1 A	4A		
95-265v AC	95-265v					2 A	4A		

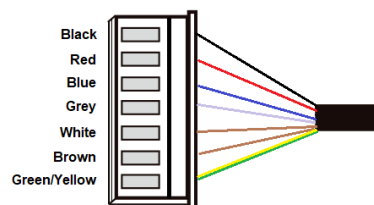
CONSTRUCTION

Valve: Brass CW 617N and CW614N, Seals PTFE; Viton + NBR, WRAS approved.
 CNX02N Actuator: ABS Engineering Plastic, Cable 0.8Mtr 7 core

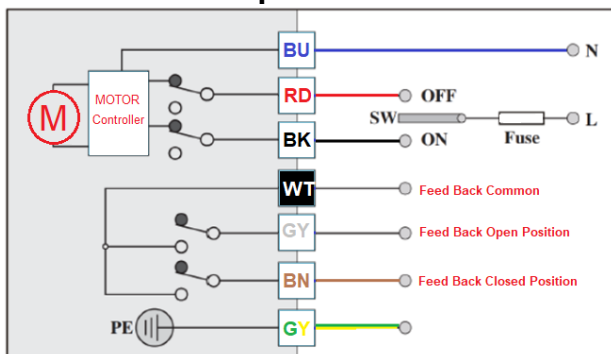
OVERALL DIMENSIONS



Port	Dimensions (mm)				Kg
	H	L1	W		
1/2	135	59	70		1
3/4	145	68		1.1	
1	155	83		1.4	
1 1/4	165	94		1.7	
1 1/2	175	102		2	
2	195	124		2.8	



Power Open / Power Close



Failsafe Return

