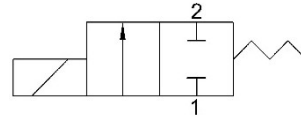




# 2/2 Way Direct Acting N.C. Plunger Series

OPENING: 5~20ms

CLOSING: 10~40ms



**Ambient Temp.** -15°C~50°C (No Freezing)

Coil No.	#2	#3	#2E
AC(VA)	6.9	8.0	5.3
Final Temp. °C	70.0	60.0	50.0
DC(W)	6.0	6.8	5.2
Final Temp. °C	78.0	73.0	62.0

**Fluid Temp.** °C

Coil No.	#2	#2E	#3
N:NBR	-5~80		
J:EPDM	-10~80		-10~145
V:FKM	-10~80		
T:PTFE	-20~80		
Z:FFKM			

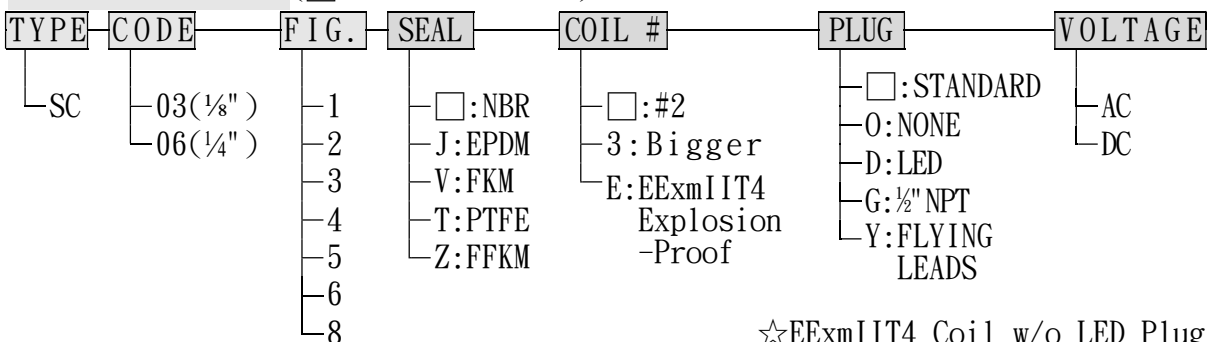
## SPECIFICATIONS SUS303 Body, For Water、Air、Gas、Light Oil(50cst down)、Vacuum etc.

CODE (PIPE)	FIG. NO.	Orifice mm	SEAL	COIL	WORKING PRESSURE 0~ bar						Cv	Torr
					#2		#3		#2E			
					AC	DC	AC	DC	AC	DC		
03(1/8")	1	1.0	N、 J、 V、 T、 Z	#2	30						0.03	10 <sup>-2</sup>
	2	1.3			30	24	30	30		0.05		
	3	1.6			30	20	30	30	24	0.09		
	4	2.0			16	11	22	20	17	14	0.14	
06(1/4")	5	2.5		#3	10	7	12	10	10	8	0.18	10 <sup>-1</sup>
	6	3.0			6	4	8	8	7	5	0.27	
	7	4.0			1	0.2	2	0.5	1	0.1	0.40	
	8	5.0			1	0.2	2	0.5	1	0.1	0.40	

☆ PTFE seal has below 300cc/min. slight leakage, not suitable for vacuum.

☆ Max. Orifice : T-2.5mm/ Z-3.0 mm.

## TYPE INDICATION (□ means standard)



☆ EExmIIT4 Coil w/o LED Plug

☆ Y: For #2Y coil only

☆ #2Y AC/DC 50V up coil w/o CE Mark

## EXAMPLES

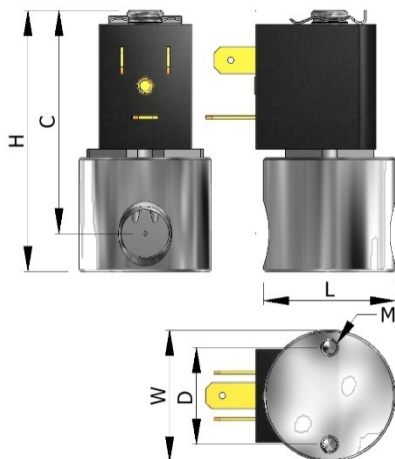
Example 1: SC03-1-Y-AC110V  
TYPE SC、 $\frac{1}{8}$ " PIPE、ORIFICE 1.0 mm、NBR SEAL、#2Y AC110V w/o CE Mark COIL

Example 2: SC06-4-V-3-D-AC220V  
TYPE SC、 $\frac{1}{4}$ " PIPE、ORIFICE 2.0 mm、FKM SEAL、#3 AC220V COIL、LED PLUG

## DIMENSIONS

CODE (PIPE)	SIZE: mm								NET WEIGHT: kg		
	L	W			H	C	D	M	#2	#3	#2E
		#2	#3	#2E							
03( $\frac{1}{8}$ " )	25	25	30		58	51	18	M4	0.18	0.23	0.50
06( $\frac{1}{4}$ " )	30				63	53	23		0.23	0.28	0.55

### DIMENSIONED DRAWING :



### OPTION ACCESSORY : Bracket

