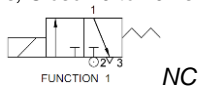


Media: air – water – gas – light oil – vacuum 10⁻¹
 Pressure range: 0 to 8 Bar max
 Media temperature: +145°C max*
 Ambient temperature: -15°C to +50°C max
 Media viscosity: 50 centistokes max
 Mounting: any position
 Weight (including coil) 280 g
 Open 5 to 20ms, Close 10 to 40ms



3/2 Stainless

1/8 – 1/4 (M5 Exhaust)

NORMALLY CLOSED

3 WAY DIRECT ACTING

0 – 8 Bar

TYPE ST03/06



PRESSURE

Ø Port BSP	Ø Orifice (mm)		Flow Kv Ltr/Min	Min	Pressure Rating (Bar)		Seals	Part Number (Replace xx with port size)
	Body	Top			6 Watt Coil 2	ATEX Coil 2E		
1/8 (03)	1.0	1.2	0.42	0	6.5	5.5	NBR EPDM -10 +80°C	STxx22 + seal + voltage
	1.3		0.71	0	6	4.8		STxx32 + seal + voltage
	1.6		1.28	0	4	3.5		STxx42 + seal + voltage
1/4 (06)	2.0	1.5	2.0	0	2.8	2.0	FFKM -20 to +80	STxx52 + seal + voltage
	2.5		2.57	0	1.2	0.8		STxx62 + seal + voltage

Ø Port BSP	Body	Top	Flow	Min	6.8 Watt Coil 3	Seals	Part Number
	1.2	0.71	0	7	STxx33 + seal + voltage		
1/4 (06)	1.6	1.5	1.28	0	5.5	EPDM, FKM, FFKM +145°C	STxx43 + seal + voltage
	2.0		2.0	0	3.5		STxx53 + seal + voltage
	2.5		2.57	0	1.5		STxx63 + seal + voltage

OPTIONS

IP65 Coil & Connector PG9 – DIN 43650
 NPT Thread
 ATEX 22002EX Coil 2E: 5.2W ATEX EExmII T4 II 2G & 2D IP65 T130°C (Media -10 to +80C Max)
 FKM (V) or EPDM (J) Seals
 Silver shading ring for RO + Pure Water
 Exhaust Accessories (Blank is with M5 female) STxxxF = Female BSP Exhaust
 Exhaust Accessories (Blank is with M5 female) STxxXP = 1/8 PT Male
 Exhaust Accessories (Blank is with M5 female) STxxxC = Anti Dust Silent Cap

ELECTRICAL DATA

Voltage (-10% + 15%) Continuous duty 100%	Coil	Power Consumption	Insulation class	Enclosure	Electrical connections
~ 24 - 48 - 110 - 230 - 380 (50/60 Hz)	22001/5 22mm Coil 2	6.9VA	F 155°C	IP 65 with connector	3 spades DIN 43650 DIN 40050 VDE 0110
= 12 - 24 - 48 (DC)		6 Watts			
~ 24 - 48 - 110 - 230 (50 or 60 Hz)	22002/6 30mm Coil 3	8VA			
= 12 - 24 (DC)		6.8 Watts			

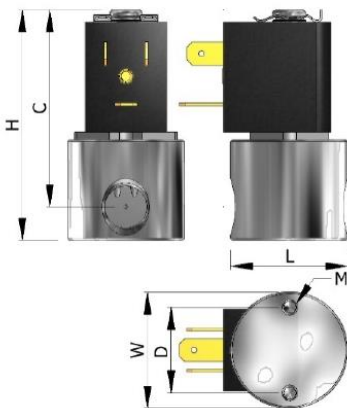
CONSTRUCTION

Body: AISI303 Stainless steel, Tube and internal parts: AISI304 stainless steel, Head & plunger: AISI 430Fr Stainless steel
 Seals and gaskets: NBR, Optional FKM (V), FFKM / Kalrez (Z), EPDM (J)
 Moulded coil: Duroplast / Thermo set resin

REPAIR KIT

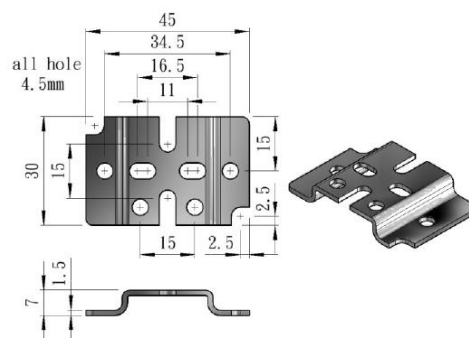
Coil	Coil size (coil 22001 or coil 830PL6) + voltage
Complete plunger + O' rings	SP + Valve Part Number - ARMATURE

OVERALL DIMENSIONS



Port	L	W 22mm Coil	W 30mm Coil	H	C	D	M
1/8	25	25	30	58	18	18	M4x0.7
1/4	30	25	30	63	23	23	M4x0.7

OPTION ACCESSORY BRACKET



OPTION ACCESSORY EXHAUST PARTS

