

# Connector, form B, industrial type

## Housing

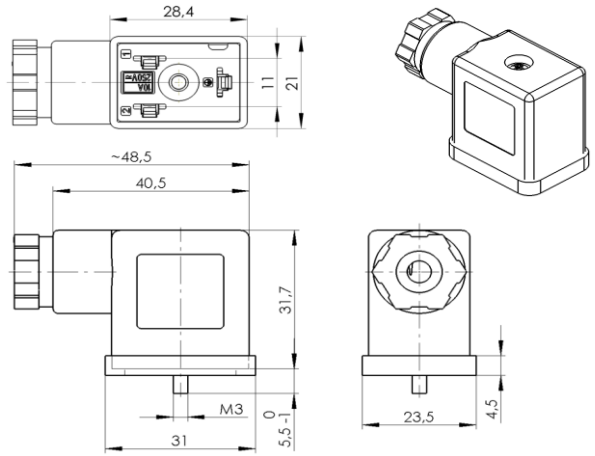
Type	one-piece
Color	black
Material	PA6 GF30
Imprint	n/a

## Cable gland

Thread	M16 x 1,5 mm
Cable diameter	4-6 mm
Color	black
Material	PA6 GF30
Tightening torque	1,8 ± 0,2 Nm

## Terminal block

Material	PA6 GF30
Poles	2 + PE
Direction of protecting earth	12 h
Contact distance	11 mm



## ② Contacts \*\*

Material	CuZn, tin-plated
Resistance	< 15 mOhm
Conductor cross-section	0,5 - 1,5 mm <sup>2</sup>
Tightening torque	max. 0,3 Nm

## Gasket

Material	NBR, black
Type	profile

## Fastening screw

② Material	steel 4.8, coated with zinc-nickel
② Size	M3 x 34,0 mm (with cross recess)
Tightening torque	0,4 ± 0,1 Nm
Sealing washer	n/a

## Circuit

Circuit	n/a
Color of LED	n/a
Protecting element	n/a
Voltage	0 - 250 V +15%
Current type	AC / DC
Operating current	max. 10 A
Protecting against wrong polarity	yes

## General properties

Ambient temperature range	-25°C ... +90°C
RoHS	yes
CSA approval	n/a
Protection grade (IEC 60529) *	IP65

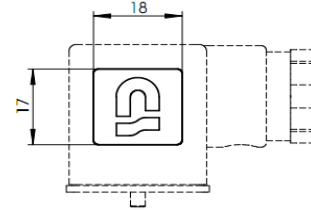
## Packaging

100 pcs packaging. Terminal block and housing are packed in pre-assembled condition. Cable gland components are pre-assembled in housing. Fastening screw is inserted in the packet in packaged condition. Profile gasket is inserted into the packet in packaged condition.

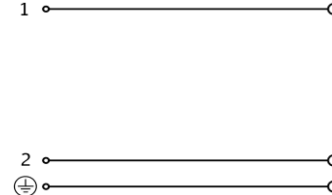
\* Must be tested in properly mounted state on the counterpart.

\*\* In order to establish a suitable electrical connection, the use of ferrules for stranded respectively fine-stranded conductors is mandatory. Be aware that the conductor cross-section affects the maximum current-load capacity.

## Logo



## Circuit diagram



				Zulässige Abweichung für Maße ohne Toleranzangabe Unless otherwise specified tolerances DIN ISO 2768-v	Format/Size: A4	Maßstab/Scale:	Gewicht/Weight:
				Schutzvermerk beachten Observe protection note ISO 16016	Benennung: Title: <b>Connector field att. I oS</b>		
2	31645	07.10.2022	BKI		Ident. - Nr.:	Freigabe-Nr.:	Blatt:
1	31379	11.04.2022	GJO		612-201-0006	27722	1
Ind Rev	Änderung-Nr. Change no.	Datum Date	Name By	Ersatz für/Replacement for:			
Geprüft/Checked: 07.10.2022 JONAS Erstellt/Created: 02.05.2017 MANGRA							