

Media: air – water
 Pressure range: 0 to 10 Bar max
 Media temp: 0°C to +120°C max
 Ambient temperature: -15°C to +60°C
 Mounting: Any
 Cycles: 70,000
 Fully Open / Close: 12 seconds
 Duty cycle: 100%
 Mounting: ISO5211, F03, F05
 WRAS certificate number 2010303

Actuated WRAS Ball Valve

1 1/4 – 2 BSP MODULATING

4-20mA, (Optional 0-5 Volt or 0-10 Volt)

2 Way 0 – 10 Bar TYPE ABV9M



PRESSURE

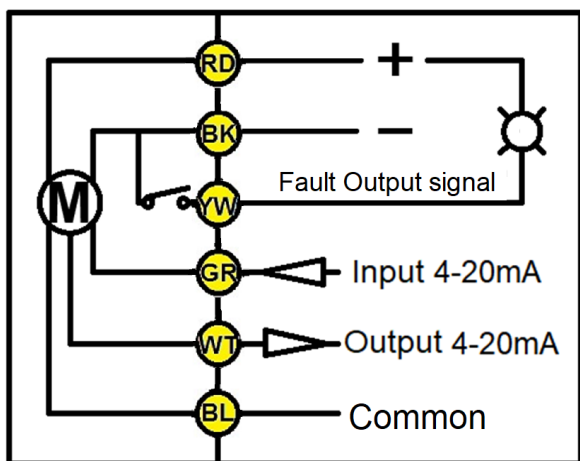
Port BSP	Orifice mm	Operating Time Secs	Pressure (Bar) ΔP		Function	Control	Part Number
			Min	Max			
1 1/4	32	12	0	10	Modulating control Supply voltage: 12 to 24vDC Control 4-20mA (Options 0-5 volt or 0-10 volt)	4-20mA	ABV12S/9M-420
						0-5 volt	ABV12S/9M-05
						0-10 volt	ABV12S/9M-010
1 1/2	38	12	0	10		4-20mA	ABV14S/9M-420
						0-5 volt	ABV14S/9M-05
						0-10 volt	ABV14S/9M-010
2	50	12	0	10		4-20mA	ABV20S/9M-420
						0-5 volt	ABV20S/9M-05
						0-10 volt	ABV20S/9M-010

OPTIONS

Visual Position Indicator manual over ride	Included
--	-----------------

ELECTRICAL DATA

Duty 100% Open / Close 12 seconds	Torque	Power	Enclosure	Electrical connections
	15 Nm	22 Watt Max 1 Amp Max	IP67	Cable 0.5 meter



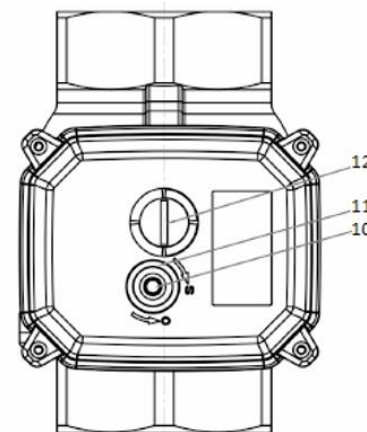
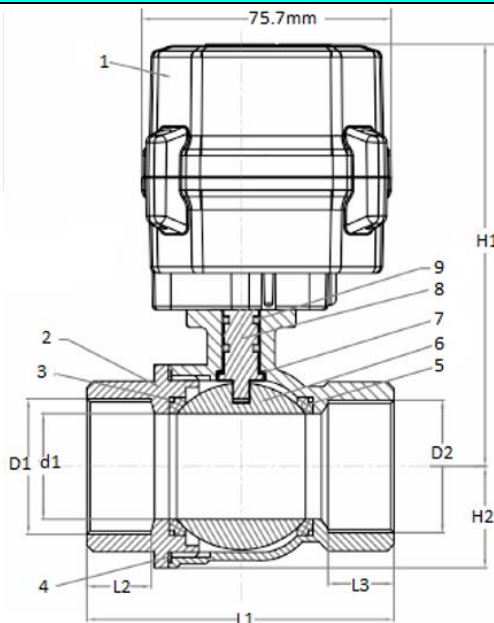
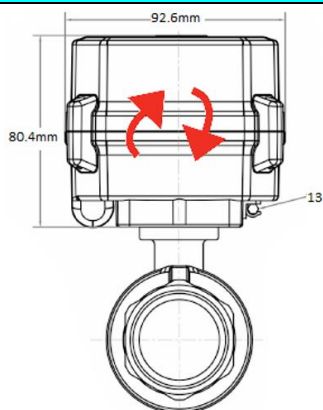
Modulating Control

Connect Power Red & Negative Black (12-24vDC)
 Status signal Yellow 3.3V = OK, no voltage = Fault
 Input +ve signal 4-20mA Green, (optional 0-5v or 0-10v)
 Output +ve signal 4-20mA White
 Blue Common -ve signal

CONSTRUCTION

Valve Body: 304 stainless steel, Seals WRAS PTFE, ABV Actuator: ABS Engineering Plastic, Gears Metal

OVERALL DIMENSIONS



1	Actuator	PPO	8	Stem	Stainless
2	Cover	Stainless	9	O Ring	FKM
3	O Ring	FKM	10	Screw	Stainless
4	Seal	PTFE	11	O Ring	NBR
5	Seal	PTFE	12	Indicator	PC
6	Ball	Stainless	13	Allen Key	Steel
7	Gasket	PTFE			

Port	Bore D1	L1	L2 / L3	E1	H1	H2
1 1/4	32	102	23	47	122	31
1 1/2	38	115	25	52	130	36
2	50	130	25	66	141.4	44.5