

Media: air – water – oil – vacuum - fluids  
 Pressure range: 0 to 64 Bar max  
 Media temperature: -20°C to +100°C  
 Ambient temperature: -30°C to +50°C  
 Media viscosity: 500 centistokes max  
 Mounting: any position  
 Opening Closing time: 25 – 130mSec

# 3/2 Brass + Stainless

1/4 – 1 1/2 COAXIAL  
 N/CLOSED & N/OPEN  
 3 WAY DIRECT ACTING  
 0 - 64 Bar  
 TYPE 371



## PRESSURE

| Port<br>BSP             | Ø<br>Orifice<br>(mm) | Flow<br>Kv<br>M³/Hr | Pressure Rating (Bar) |         | Body<br>Material | Part Number |                            |
|-------------------------|----------------------|---------------------|-----------------------|---------|------------------|-------------|----------------------------|
|                         |                      |                     | Min                   | Max     |                  |             |                            |
|                         |                      |                     |                       | P⇒A P⇒R |                  |             | A⇒P R⇒P                    |
| 1/4, 3/8, 1/2, (3/4*)   | 10                   | 2.0                 | 0                     | 64      | 16               | Brass       | 371A10MOG + port + voltage |
| 3/8, 1/2, 3/4, (1*)     | 15                   | 5.6                 | 0                     | 64      | 16               | Brass       | 371A15MOG + port + voltage |
| 1/2, 3/4, 1, (1 1/4*)   | 20                   | 8.0                 | 0                     | 64      | 16               | Brass       | 371A20MOG + port + voltage |
| 3/4, 1, 1 1/4, (1 1/2*) | 25                   | 11.5                | 0                     | 64      | 16               | Brass       | 371A25MOG + port + voltage |
| 1, 1 1/4, 1 1/2         | 32                   | 17.9                | 0                     | 64      | 16               | Brass       | 371A32MOG + port + voltage |
| 1/4, 3/8, 1/2, (3/4*)   | 10                   | 2.0                 | 0                     | 64      | 16               | AISI303     | 371A10V2G + port + voltage |
| 3/8, 1/2, 3/4, (1*)     | 15                   | 5.6                 | 0                     | 64      | 16               | AISI303     | 371A15V2G + port + voltage |
| 1/2, 3/4, 1, (1 1/4*)   | 20                   | 8.0                 | 0                     | 64      | 16               | AISI303     | 371A20V2G + port + voltage |
| 3/4, 1, 1 1/4, (1 1/2*) | 25                   | 11.5                | 0                     | 64      | 16               | AISI303     | 371A25V2G + port + voltage |
| 1, 1 1/4, 1 1/2         | 32                   | 17.9                | 0                     | 64      | 16               | AISI303     | 371A32V2G + port + voltage |
| 1/4, 3/8, 1/2, (3/4*)   | 10                   | 2.0                 | 0                     | 64      | 16               | AISI316     | 371A10V4G + port + voltage |
| 3/8, 1/2, 3/4, (1*)     | 15                   | 5.6                 | 0                     | 64      | 16               | AISI316     | 371A15V4G + port + voltage |
| 1/2, 3/4, 1, (1 1/4*)   | 20                   | 8.0                 | 0                     | 64      | 16               | AISI316     | 371A20V4G + port + voltage |
| 3/4, 1, 1 1/4, (1 1/2*) | 25                   | 11.5                | 0                     | 64      | 16               | AISI316     | 371A25V4G + port + voltage |
| 1, 1 1/4, 1 1/2         | 32                   | 17.9                | 0                     | 64      | 16               | AISI316     | 371A32V4G + port + voltage |

## OPTIONS

Normally Open version (371B)  
 Mounting brackets (x2)  
 Inductive Position Switch Brass or Stainless E1 (1 position Open or Closed) or E2 (2 positions Open and Closed)  
 NPT or special thread (\*), Vacuum, Nickel Plated brass, Flanged, NBR EPDM or PTFE seals, Manual override

<= See  
 <= See  
 TBA  
 TBA

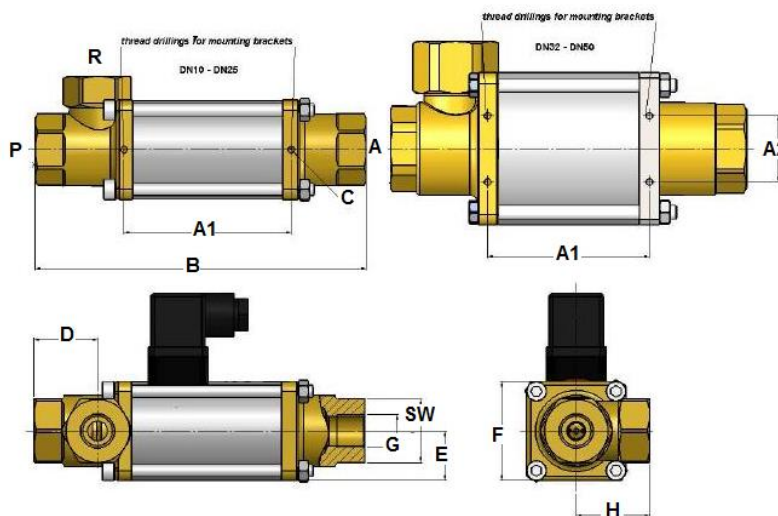
## ELECTRICAL DATA

| Voltage (-10% + 10%)<br>Continuous duty 100%                  | Power Consumption (Watts) |      |      |      |      | Insulation class | Enclosure               | Electrical connections                         |
|---|---------------------------|------|------|------|------|------------------|-------------------------|--|
|   | Ø 10                      | Ø 15 | Ø 20 | Ø 25 | Ø 32 |                  |                         |  |
| ~ 24 - 48 - 110 - 230<br>(40 – 60Hz Connector with rectifier) | 53                        | 55   | 59   | 85   | 76   | F 155°C          | IP 65<br>with connector | 3 spades<br>DIN 43650<br>DIN 40050<br>VDE 0110 |
| = 12 - 24 - 48 - 110 - 230 (DC)                               | 44                        | 50   | 53   | 77   | 73   |                  |                         |  |

## CONSTRUCTION

Body: Brass MS058 (MO version): Option: AISI303 (V2) 1.4305 or AISI316 (V4) 1.4571  
 Tube and internal parts: Stainless steel  
 Seals: Static FKM, Dynamic PTFE, Seat FKM

## OVERALL DIMENSIONS



| DN | G                 | SW | A1<br>(mm) | A2<br>(mm) | B<br>(mm) | C  | D<br>(mm) | E<br>(mm) | F<br>(mm) | H<br>(mm) | Kg   |
|----|-------------------|----|------------|------------|-----------|----|-----------|-----------|-----------|-----------|------|
| 10 | 1/4 3/8 1/2 3/4   | 32 | 84         | -          | 166.5     | M4 | 32        | 25        | 50        | 37        | 1.9  |
| 15 | 3/8 1/2 3/4 1     | 41 | 100        | -          | 200       | M5 | 38.5      | 35        | 70        | 60        | 4    |
| 20 | 1/2 3/4 1 1 1/4   | 46 | 108        | -          | 228       | M5 | 45.5      | 40        | 80        | 72        | 6    |
| 25 | 3/4 1 1 1/4 1 1/2 | 55 | 121        | -          | 252       | M5 | 48        | 45        | 90        | 80        | 7.5  |
| 32 | 1 1 1/4 1 1/2     | 60 | 122        | 50         | 269       | M6 | 49.5      | 57.5      | 115       | 80        | 13.4 |