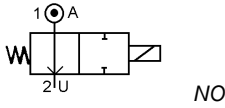


Media: air – water – gas – vacuum
 Pressure range: 0 to 20 Bar max
 Media temperature: -20°C +170°C max*
 Ambient temperature: -10° to +50°C
 Media viscosity: 50 centistokes max
 Mounting: any position
 Open: 10-30mSec / Close: 20-60mSec



2/2 Brass

1/4 - 3/4

NORMALLY OPEN

2 WAY DIRECT ACTING

0 – 20 Bar

TYPE RS



PRESSURE

Ø Port	Ø Orifice (mm)	Flow Kv L/Min	Pressure Rating (Bar)				Coil	Seals	Part Number
			Min	Max AC	Max DC	Vacuum Torr			
1/4 (06)	2.0	3	0	16	13	10-2	15W 22003	NBR -5°C to +80°C	RS + port size + 14 + voltage
	2.5	4	0	13	8	10-2			RS + port size + 24 + voltage
	3.0	6.2	0	8	5	10-1			RS + port size + 34 + voltage
	4.0	8.8	0	5	3	10-1			RS + port size + 44 + voltage
	5.0	13.8	0	2.5	2	1			RS + port size + 54 + voltage
	5.5	15.8	0	2	1	1			RS + port size + 64 + voltage
3/8 (10)	2.0	3	0	20	16	10-2	18.5W 22005	EPDM (J)* -10°C to +145°C	RS + port size + 15 + voltage
	2.5	4	0	16	13	10-2			RS + port size + 25 + voltage
	3.0	6.2	0	13	8	10-1			RS + port size + 35 + voltage
	4.0	8.8	0	8	5	10-1			RS + port size + 45 + voltage
1/2* (15)	5.0	13.8	0	5	3	1		FKM (V)* -10°C to +160°C	RS + port size + 55 + voltage
	5.5	15.8	0	3	2	1			RS + port size + 65 + voltage
	7.5	18.3	0	2	1	1			RS + port size + 75 + voltage
3/4* (20)	2.0	3	0	16	13	10-2	ATEX 10.1W 3E	PTFE (T)* -20°C to +170°C	RS + port size + 13E + voltage
	2.5	4	0	13	8	10-2			RS + port size + 23E + voltage
	3.0	6.2	0	8	5	10-1			RS + port size + 33E + voltage
	4.0	8.8	0	5	3	10-1			RS + port size + 43E + voltage
	5.0	13.8	0	2.5	2	1			RS + port size + 53E + voltage
	5.5	15.8	0	2	1	1			RS + port size + 63E + voltage
	7.5	18.3	0	1	0.5	1	RS + port size + 73E + voltage		

OPTIONS

Connector PG9 – DIN 43650 A, IP65 Coil
 1/2 BSP port (10)
 3/4 BSP port (20)
 FKM (V) or EPDM (J) seals (5mm orifice max)
 PTFE (T) seals (5mm orifice max – only with DC coil or rectified connector AC>DC)
 NPT Thread

Included

ELECTRICAL DATA

Voltage (-10% + 10%) Continuous duty 100%	Coil	Power	Insulation class	Enclosure	Electrical connections
~ 24 - 48 - 110 - 230 - 380 (50/60 Hz)	22003	18VA	H 180°C	IP 65 with connector	3 spades DIN 43650 DIN 40050 VDE 0110
= 12 - 24 - 48 (DC)		15 Watts			
~ 24 - 48 - 110 - 230 (50/60 Hz)	22005	24VA			
= 12 - 24 - 48 - 110 - 230 (DC)		18.5 Watts			

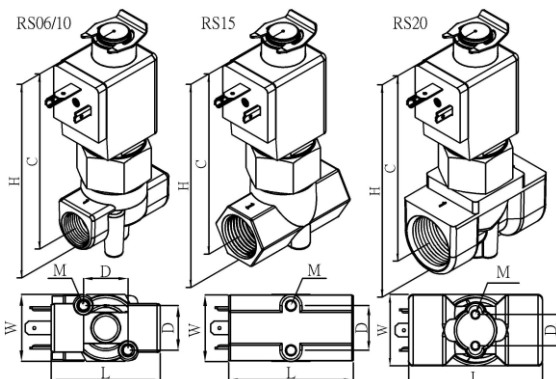
CONSTRUCTION

Body: Brass, Tube and internal parts: Stainless steel
 Seals and gaskets: NBR (Optional EPDM or Viton Ø5.0mm max, or PTFE Ø4mm max)
 Moulded coil: Resin

REPAIR KIT

Coil	Coil size (22003 or 22005) + voltage
Complete armature assembly	KIT + valve part number

OVERALL DIMENSIONS



Model	L	W	H	C	D	M	Kg
RS06	49	29	114	99	20	M5	0.84
RS10				101			0.82
RS15	56	30	120	103	14	M4	0.87
RS20	60	32					0.98

