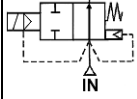


Media: air – water – gas – light oil
 Pressure range: 1 to 25 Bar max
 Media temperature: -40°C +180°C max
 Ambient temperature: -10°C to +60°C
 Media viscosity: 50 centistokes max
 Mounting: coil upright
 Opening / Closing time: 50 mSec Max



NO

2/2 Brass

3/8 – 1”

NORMALLY OPEN

2 WAY SERVO ASSISTED

0.5 – 25 Bar

TYPE NOPU225H®



PRESSURE

Ø Port BSP	Ø Orifice (mm)	Flow Kv Ltr/ min	Pressure Rating (Bar) ΔP		Max Media Temp. °C	Seals	Part Number
			Min	Max			
3/8	8	28.6	1	25	NBR -15°C to +80°C	NBR	NOPU225HB03 + voltage
						EPDM	NOPU225HE03 + voltage
						FKM	NOPU225HV03 + voltage
1/2	8	28.6	1	25	EPDM -5°C to +130°C	NBR	NOPU225HB04A + voltage
						EPDM	NOPU225HE04 + voltage
						FKM	NOPU225HV04 + voltage
3/4	13	64.5	1	25	Viton -10°C to +180°C	NBR	NOPU225HB06 + voltage
						EPDM	NOPU225HE06 + voltage
						FKM	NOPU225HV06 + voltage
1	13	64.5	1	25	HNBR -40°C to +150°C	NBR	NOPU225HB08 + voltage
						EPDM	NOPU225HE08 + voltage
						FKM	NOPU225HV08 + voltage

OPTIONS

IP65 PG9 – DIN 43650 A Connector and Coil
 ATEX 22003EX Coil: ATEX EExmIT4 II 2G & 2D IP65 T130°C ⚠️ (20 Bar Max)
 NPT Thread
 Flange JIS10K ANSI150Lb or PN16, HNBR seals or degreasing

Included

ELECTRICAL DATA

Voltage (-10% + 10%) Continuous duty 100%	Coil	Power Consumption		Insulation class	Enclosure	Electrical connections
		Inrush	Holding			
~ 24 – 110 – 240 – 380 (50 or 60 Hz)	22005	33VA	24VA	H 180°C	IP 65 with connector	3 spades DIN 43650A DIN 40050 VDE 0110
= 12 – 24 -110 – 220 (DC)		18.5 Watts				

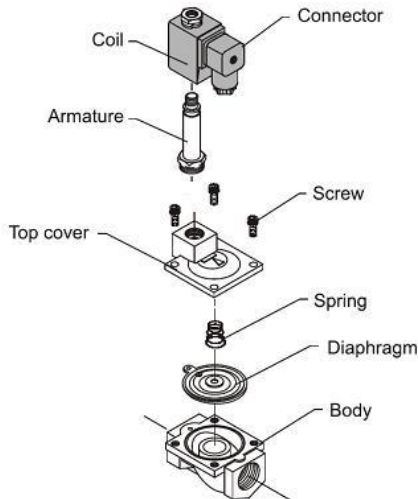
CONSTRUCTION

Body: Forged Brass SS41 (Test Pressure 30 Bar)
 Tube and Internal Parts: Stainless steel
 Diaphragm: Nylon reinforced NBR, FKM or EPDM

REPAIR KIT

Seal Kit	ZGPU225H + (size code 03-08) + seal material
Coil	22005 + voltage

OVERALL DIMENSIONS



Model	PU225H 03	PU225H 04	PU225H 06	PU225H 08
Port	3/8	1/2	3/4	1
A	66.5	66.5	96.0	96.0
B	106.5	106.5	126.5	126.5
C	48	48	70	70
Kg	0.775	0.755	1.55	1500

