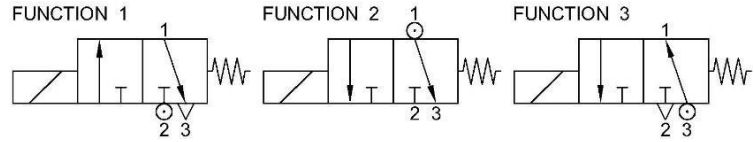


3/2 Direct Acting Plunger Series

Opening: 20~60ms

Closing: 40~120ms



| | | | | |
|-------------------|----------------|-------|------|------|
| Power Consumption | COIL# | #4 | #5 | #3E |
| | AC (VA) | 19.5 | 23.0 | 9.2 |
| | Final Temp. °C | 80.0 | 85.0 | 53.0 |
| | DC (W) | 15.0 | 18.5 | 10.0 |
| | Final Temp. °C | 103.0 | 95.0 | 80.0 |

Ambient Temp: -15°C ~50°C (No Freezing)

| | | | |
|---------------|---------|---------|-----|
| SEAL Temp. °C | #4 | #5 | #3E |
| N: NBR | -5~80 | | |
| J: EPDM | -10~145 | | |
| V: FKM | | | |
| Z: FFKM | -20~160 | -20~185 | |

SPECIFICATIONS

Forged Brass Body for Water, Air, Gas, Oil (under 50cst), Vacuum etc.

| CODE (PIPE) | FIG. NO. | Orifice mm | | Seal | COIL | Working Pressure 0~ bar | | | | | | | | | CV | Torr |
|-------------|----------|------------|------|------|------|-------------------------|----|---|-----|-----|---|-----|-----|---|------|------------------|
| | | Body | Tube | | | #4 | | | #5 | | | #3E | | | | |
| | | | | | | FUNCTION | | | | | | | | | | |
| 1 | 2 | 3 | 1 | 2 | 3 | 1 | 2 | 3 | 1 | 2 | 3 | | | | | |
| 06 (1/4") | A | 1.0 | 1.6 | N | #4 | 12 | 10 | 3 | 16 | 12 | - | 11 | 10 | 3 | 0.02 | 10 ⁻² |
| | 0 | 1.3 | | | | 9 | | | 12 | | | 8 | | | 0.05 | |
| | 1 | 1.6 | | | | 7 | | | 8.5 | | | 6 | | | 0.10 | |
| 10 (3/8") | 2 | 2.0 | 2.0 | J | #5 | 5.5 | 8 | 2 | 7 | 10 | - | 5 | 8 | 2 | 0.15 | 10 ⁻² |
| | 3 | 2.5 | | | | 4 | | | 6.5 | | | 3 | | | 6.5 | |
| 15 (1/2") | 4 | 3.0 | 2.5 | V | #3E | 2.5 | 1 | 1 | 4 | 5.5 | - | 2 | 4.5 | 1 | 0.31 | 10 ⁻¹ |
| | 5 | 4.0 | | | | 1.5 | | | 4.5 | | | 1.5 | | | 4.5 | |
| 20 (3/4") | 6 | 5.0 | 3.0 | Z | | 0.8 | | | 1.5 | | | 0.8 | | | 0.65 | |

TYPE INDICATION

| TYPE | CODE | FIG. NO. | SEAL | COIL # | PLUG | CONN. | EXH. ACCESS | VOLTAGE |
|------|--|--|--|---|---|---------------------------------------|---|----------------|
| CT | -06 (1/4") -10 (3/8") -15 (1/2") -20 (3/4") | -A -0 -1 -2 -3 -4 -5 -6 | -N: NBR -J: EPDM -V: FKM -Z: FFKM | -4: #4 -5: #Bigger -E: EExm II T4 | -0: DIN -A: None -D: LED -G: 1/2"NPT | -P: PT (Rc) -N: NPT -G: G (BSP) | -A: None -F: PS FEMALE -C: ANTI-DUST CAP -P: 1/8"PS MALE | -AC-- -DC-- |

★ EExm II T4 COIL w/o LED PLUG

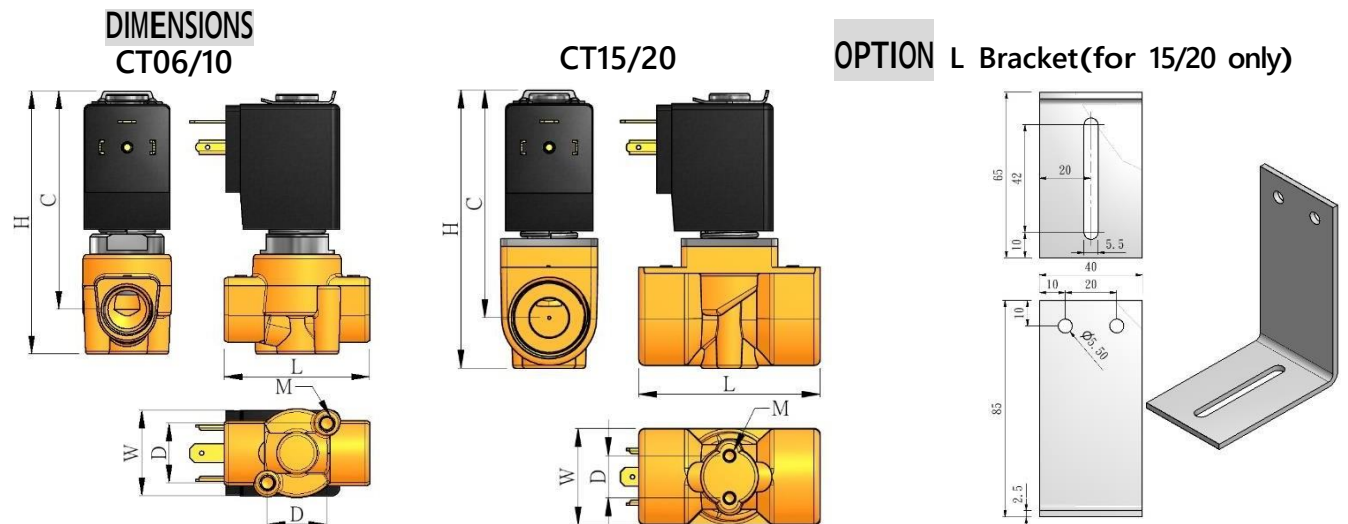
Examples

Example 1: CT06-1-N-4-D-P-F AC220V
 TYPE CT, 1/4"PT, Body 1.6mm, Tube 1.6mm, NBR Seal, Nass #4 Coil, LED Plug, 1/4"PS Female Exhaust Accessory, AC220V

Example 2: CT15-3-V-5-0-G-A DC24V
 TYPE CT, G1/2, Body 2.5 mm, Tube 2.5mm, FKM Seal, Nass #5 Coil, Standard Plug, DC24V

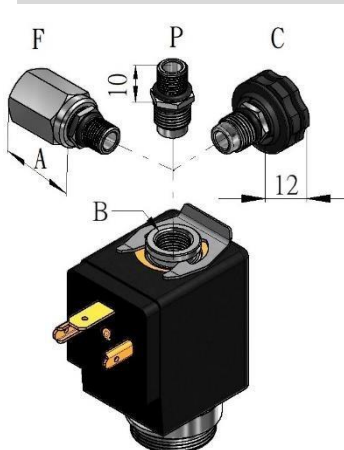
DIMENSIONS/WEIGHT

| CODE (PIPE) | Size:mm | | | | | | | NET WEIGHT:kg | | | | |
|----------------|---------|----|----|-----|---|----|----|---------------|----|------|------|------|
| | L | W | | | H | C | D | M | #4 | #5 | #3E | |
| | | #4 | #5 | #3E | | | | | | | | |
| 06 (1/4") | 49 | 31 | 36 | | | 86 | 71 | 20 | M5 | 0.43 | 0.51 | 0.76 |
| 10 (3/8") | | | | | | | | | | 0.41 | 0.49 | 0.74 |
| 15 (1/2") | 56 | 32 | 36 | | | 88 | 74 | 21 | M4 | 0.43 | 0.51 | 0.76 |
| 20 (3/4") | 60 | | | | | | | | | 91 | 14 | 0.55 |



OPTIONAL ACCESSORIES

Exhaust Parts



F: PS FEMALE

Size:mm

| Port | A |
|------|----|
| 1/4" | 21 |
| 3/8" | 23 |

| CODE (PIPE) | B |
|----------------|-------------------|
| 06 (1/4") | |
| 10 (3/8") | G 1/8 × 10L |
| 15 (1/2") | |
| 20 (3/4") | M8 × P0.75 × 9.5L |

