

Media: water + fluid  
 Pressure Rating: 25 Bar Max  
 Pressure: (1 - 7), (2 - 10) or (4 - 12) Bar  
 Media temperature: -15°C +80°C max  
 Media viscosity: 50 centistokes max  
 Mounting: any position

# Pressure Reducing Valve

DN50 – DN300

Stainless Steel 304 or 316

PILOT ASSISTED

(1 – 7), (2 – 10) or (4 – 12) Bar

TYPE BFR-S



## PRESSURE

Ø Port PN16	Ø Orifice (mm)	Flow Kv L/min	Max Inlet Pressure (Bar)	Part Number Pressure Reducing Adjustment Range Options: (1 – 7), (2 – 10) or (4 – 12) Bar	List Price	
					304 Stainless	316 Stainless
DN50	50	1072.5	25	BFR50 + body material + pressure range		
DN65	65	1501.5	25	BFR65 + body material + pressure range		
DN80	80	2002	25	BFR80 + body material + pressure range		
DN100	100	3718	25	BFR100 + body material + pressure range		
DN125	125	5577	25	BFR125 + body material + pressure range		
DN150	150	7865	25	BFR150 + body material + pressure range		
DN200	200	14300	25	BFR200 + body material + pressure range		
DN250	250	22880	16	BFR250 + body material + pressure range		
DN300	300	31460	16	BFR300 + body material + pressure range		

## OPTIONS

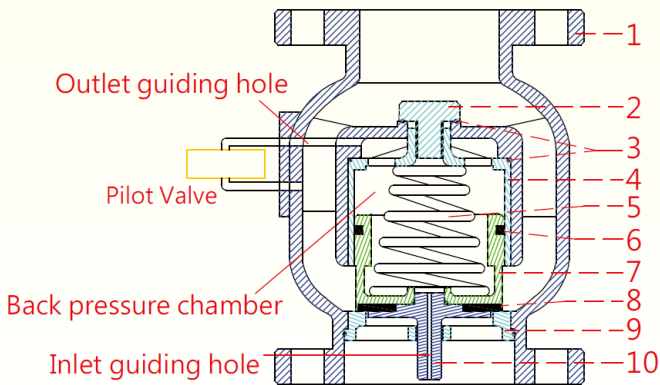
Pressure Regulator PRV Controller Stainless steel	<b>Included Included Included TBA</b>
Pressure gauge (Displays outlet Pressure)	
Pressure adjusting range (1 to 7 Bar) or (2 to 10 Bar) or (4 to 12 Bar)	
Other flange options ANSI150Lb, JIS10K, JIS20K, PN10, PN20 Other custom-made sizes (up to 56" DN1400), other pressures, seals for other media (acid- alkali – oil) options available upon request	

## REPAIR KIT

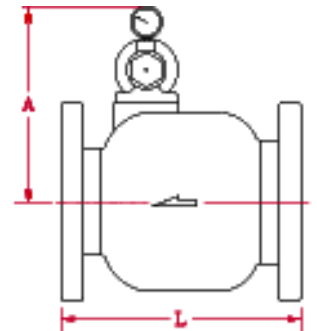
Body seal kit	BF + port + seal material -KIT
Pressure Reducing Controller	BFRS + pressure range + seal

## OVERALL DIMENSIONS

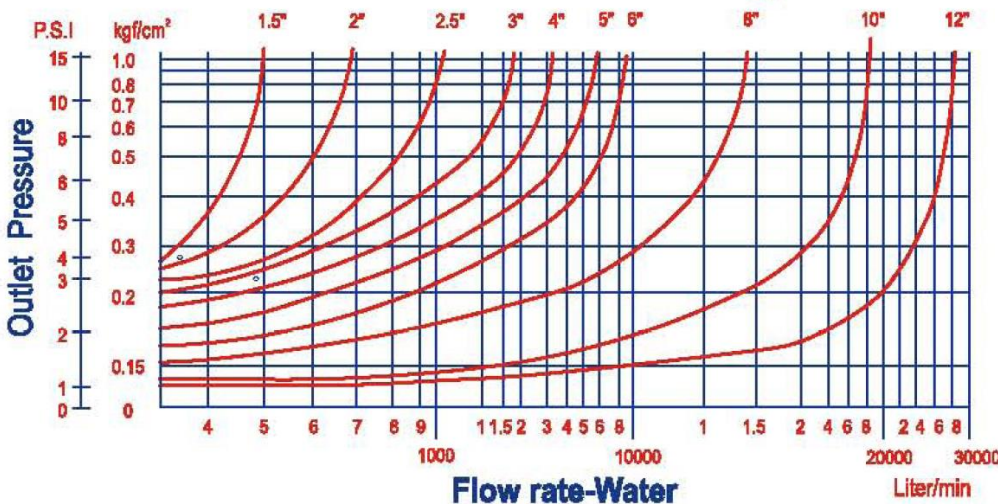
Pressure reducing valve will reduce and maintain a stable set outlet pressure regardless of inlet pressure changes to prevent pipeline and equipment damage caused by accidental over pressure. Outlet pressure is displayed by external pressure gauge.



No	Description	Material
1	Main body	Stainless Steel
2	Cylinder bolt	Stainless Steel
3	O-Ring	NBR
4	Cylinder	Stainless Steel
5	Spring	304 Stainless
6	U- ring	NBR
7	Piston	Stainless Steel
8	Sealing	NBR
9	Seat	Stainless Steel
10	Shaft	Stainless Steel
	Test Pressure	38 Bar



## Flow Chart of Pressure Reducing Valve



Item	Kg	Dimensions (mm)	
		L	A
BFR50	12	190	130
BFR65	15	212	140
BFR80	18	225	155
BFR100	24	250	165
BFR125	32	284	180
BFR150	44	310	215
BFR200	87	420	235
BFR250	152	470	280
BFR300	202	535	310
BFR350		600	350
BFR400		600	355