

Media: water or fluid  
 Pressure range: 0.7 to 25 Bar max  
 Media temperature: -15°C +80°C max  
 Ambient temperature: -15°C to +60°C  
 Media viscosity: 50 centistokes max  
 Mounting: any position

# Pilot Float Valves

DN50 – DN300  
 Stainless 304 or 316  
 PILOT ASSISTED  
 0.7 – 25 Bar  
 TYPE BFF-S



## PRESSURE

Ø Port PN16	Ø Orifice (mm)	Flow Kv L/min	Max Inlet Pressure (Bar)	Part Number	List Price	
					Stainless 304	Stainless 316
DN50	50	1072.5	25	BFF50 + body material + seal		
DN65	65	1501.5	25	BFF65 + body material + seal		
DN80	80	2002	25	BFF80 + body material + seal		
DN100	100	3718	25	BFF100 + body material + seal		
DN125	125	5577	25	BFF125 + body material + seal		
DN150	150	7865	25	BFF150 + body material + seal		
DN200	200	14300	25	BFF200 + body material + seal		
DN250	250	22880	16	BFF250 + body material + seal		
DN300	300	31460	16	BFF300 + body material + seal		

## Options

1/2" threaded pilot adaptor plate  
 Other flange JIS10K, JIS20K; ANSI150Lb, PN10 or PN25  
 Other custom-made sizes (up to 56" DN1400) and other media and seal options available upon request

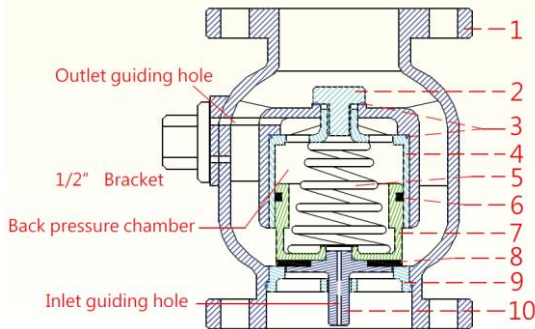
Included  
 TBA

## REPAIR KIT

Body seal kit

BFE + port size + seal material - KIT

## OVERALL DIMENSIONS



Dimensions			
DN	L	A	Kg
50	190	100	10
65	212	105	13
80	225	120	16
100	250	130	22
125	284	150	30
150	310	180	42
200	420	205	85
250	470	250	150
300	535	280	200

Material Specs	
Main body	Stainless Steel
Cylinder bolt	Stainless Steel
O-Ring	NBR (Viton or EPDM)
Cylinder	Stainless Steel
Spring	Stainless Steel
U- ring	NBR (Viton or EPDM)
Piston	Stainless Steel
Sealing	NBR (Viton or EPDM)
Seat	Stainless Steel
Shaft	Stainless Steel
Controller	Stainless Steel
Test Pressure	38 Bar

