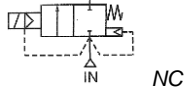


Media: air – water – light oil - steam
 Pressure range: 1 to 10 Bar max
 Media temperature: +185°C Max
 Ambient temperature: -20° to +60°C
 Media viscosity: 50 centistokes max
 Mounting: coil upright
 Opening / Closing 200 mSec Max



2/2 Steam Flanged

DN65 – DN100
 NORMALLY CLOSED
 SERVO ASSISTED
 0.5 – 10 Bar
 TYPE USLF



PRESSURE

Ø Port PN16	Ø Orifice (mm)	Flow Kv L/min	Pressure Rating (Bar) ΔP		Part Number
			Min	Max	
DN65	65	972.4	1	10	USL65F + voltage
DN80	80	1430	1	10	USL80F + voltage
DN100	100	2574	1	10	USL100F + voltage

OPTIONS

IP65 Coil + DIN Connector PG11 DIN43650A (Optional 30cm N Rated IP54 Flying lead coil)
 Other flange ANSI150Lb, JIS10K, JIS20K, PN40
 100% duty rated reduced power coil, IP54 coil with 30cm lead wires, normally open

ELECTRICAL DATA

Voltage (-10% + 10%) Continuous duty 90%	Coil	Power Consumption (Amp)			Insulation class	Enclosure	Electrical connections
		24vDC	110vAC	230vAC			
~ 24 - 110 - 220 (50 or 60 Hz)	M		0.19	0.1	H 180°C	IP65 with connector	3 spades DIN 43650 DIN 40050 VDE0110
= 12 - 24 (DC)		0.95					

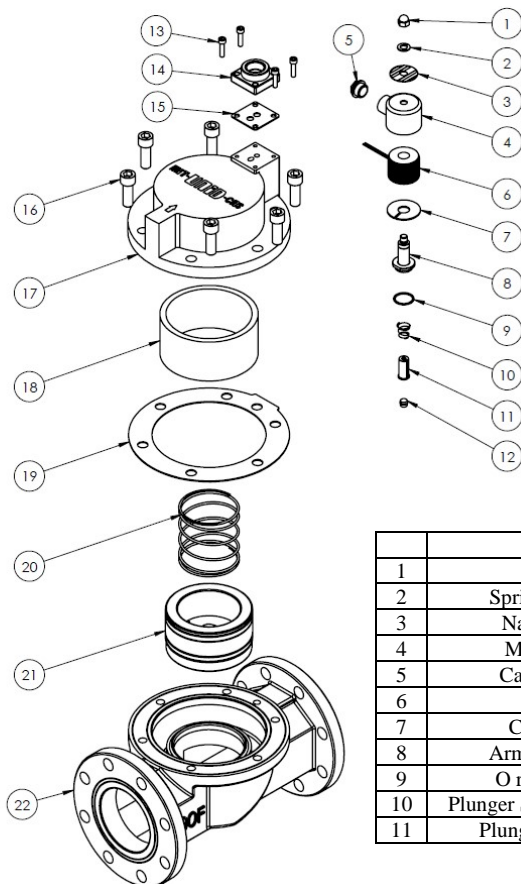
CONSTRUCTION

Body: FC-20 (1 piece casting)
 Piston: Bronze
 Tube and internal parts: Stainless steel
 Seals and gaskets: PTFE
 Moulded coil: Resin

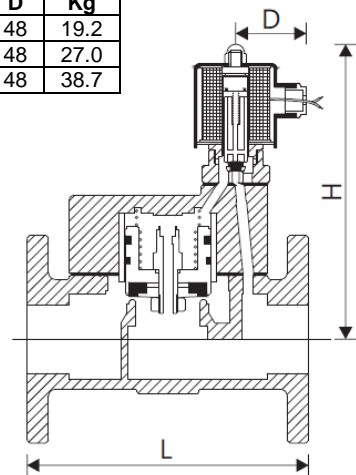
REPAIR KIT

Coil	M + voltage
Piston	SP + Valve Part Number – PISTON

OVERALL DIMENSIONS



Model	L	H	D	Kg
USL65F	240	209	48	19.2
USL80F	300	228	48	27.0
USL100F	340	244	48	38.7



1	Nut	12	Plunger seal PTFE
2	Spring washer	13	Bolt M6
3	Name plate	14	Brass C3771 plate
4	Metal case	15	Gasket PTFE
5	Cable gland	16	Bolt M12
6	Coil	17	Top cover FC20
7	Coil plate	18	Sleeve copper
8	Armature tube	19	Gasket PTFE
9	O ring PTFE	20	Spring SUS304
10	Plunger Spring SUS304	21	Piston Set
11	Plunger SUS410	22	Body FC20