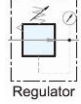


Media: air
 Inlet Pressure: 8 Bar max
 Pressure range: 0.05 – 8 Bar
 Media temperature: -5°C to +60°C
 Ambient temperature: -5°C to +60°C
 Mounting: any
 Weight: 345g



Precision Mini Regulator

1/4 Aluminium

Relieving or Non Relieving

0.05 to 2, 0.1 to 4 or 0.05 to 2 Bar

TYPE URP-02



PRESSURE

| Ø Port BSP | Accuracy (F.S.) | Colour | Pressure (Bar) Air | | Part Number |
|------------|--|--------|--------------------|-----|-------------|
| | | | Min | Max | |
| 1/4 | Sensitivity +/- 0.2% Repeatability +/- 0.5% | Blue | 0.1 | 8 | URP-02BG |
| | | Orange | 0.1 | 4 | URPL4-02BG |
| | | Yellow | 0.05 | 2 | URPL2-02BG |

OPTIONS

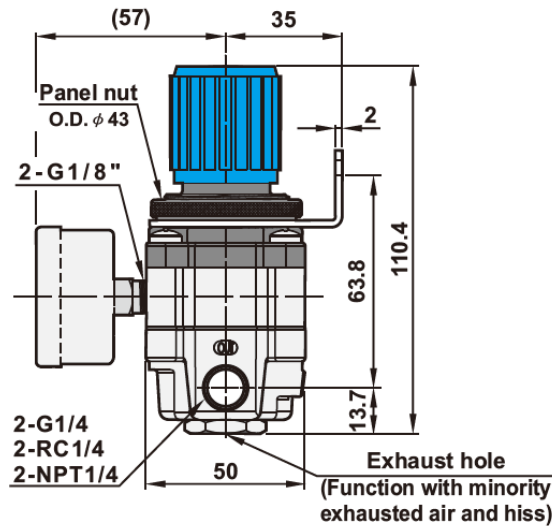
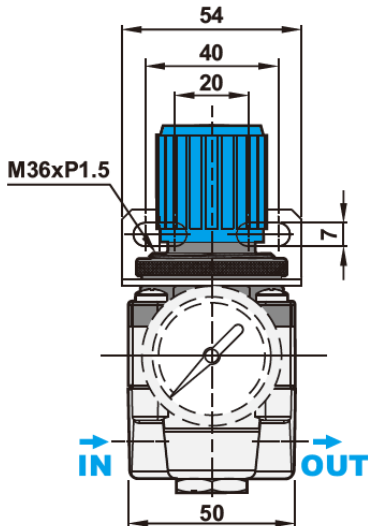
Panel mounting ring, Relieving as standard (option non relieving 02BGV available upon request)
 Blanking plug x1, Pressure gauge (G), Mounting bracket (B)
 NPT or Rc Thread

**Included
Included**

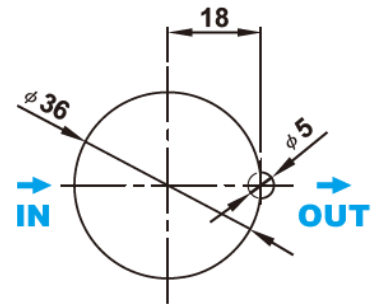
CONSTRUCTION

Body Die Cast Aluminium
 Regulator: Diaphragm
 10 Bar proof pressure tested, Max flow rate 1780 (ANR) temperature range -5C to +60C.

OVERALL DIMENSIONS



Panel Size



Thickness: Max. 3.5