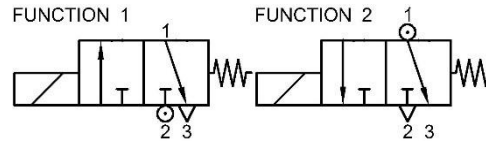




3/2 Way Direct Acting N.C. Plunger Series

Opening: 5-20ms

Closing: 10-40ms



AMBIENT TEMP. -15°C to 50°C (No Freezing)

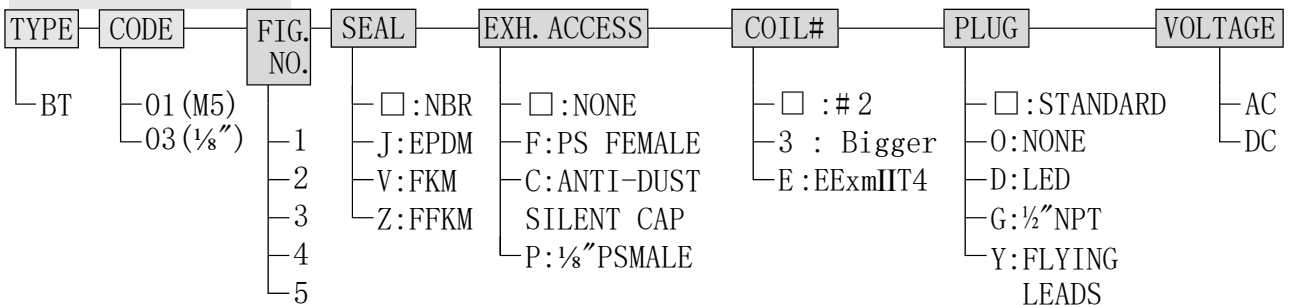
Coil No.	#2	#3	#2E
AC (VA)	6.9	8.0	5.3
Final Temp. °C	70.0	60.0	50.0
DC (W)	6.0	6.8	5.2
Final Temp. °C	78.0	73.0	62.0

SEAL TEMP. °C

Coil No.	#2	#3	#2E
N:NBR	-5~80		
J:EPDM	-10~80	-10~145	-10~80
V:FKM	-10~80	-10~145	-10~80
Z:FFKM	-20~80	-20~80	-20~80

SPECIFICATIONS		Brass Body for Water, Air, Vacuum etc.											
CODE (PIPE)	FIG. NO.	ORIFICE mm		SEAL	COIL	WORKING PRESSURE 0 to bar						Cv	Torr
		Body	Tube			#2		#3		#2E			
						FUNCTION							
		1	2	1	2	1	2						
01 (M5) 、 03 (1/8")	1	1.0	1.2	N	#2	6.5	7.0	8.0	9.0	5.5	5.5	0.03	10 ⁻¹
	2	1.3		J	#2	6.0		7.0		7.0		9.0	
	3	1.6		V	#3	4.0	5.5	3.5	5.5	3.5		0.09	
	4	2.0	Z	#3	2.8	5.0	3.5	7.0	2.0	3.5	0.14		
	5	2.5	#2E	#2E	1.2		1.5		7.0	0.8	3.5	0.18	

TYPE INDICATION (□ means standard)



※EExmIIT4 Coil w/o LED Plug

※Y:#2 Coil Only

※#2Y AC/DC50V up Coil w/o CE Mark

Examples

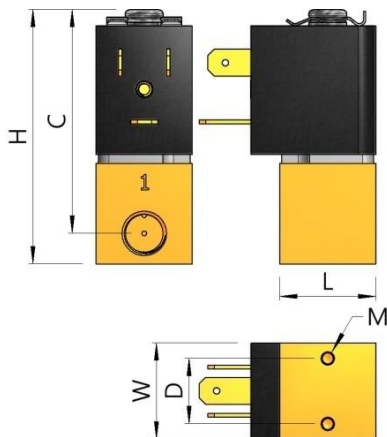
Example 1: BT01-1-J-D-AC220V
 TYPE BT, M5 Pipe, Body Orifice 1.0mm, Tube Orifice 1.2 mm, EPDM Seal, Nass#2 Coil, LED Plug, AC220V

Example 2: BT03-4-V-3-DC24V
 TYPE BT, 1/8"Pipe, Body Orifice 2.0mm, Tube Orifice 1.5mm, FKM Seal, Nass #3 Coil, Standard Plug, DC24V

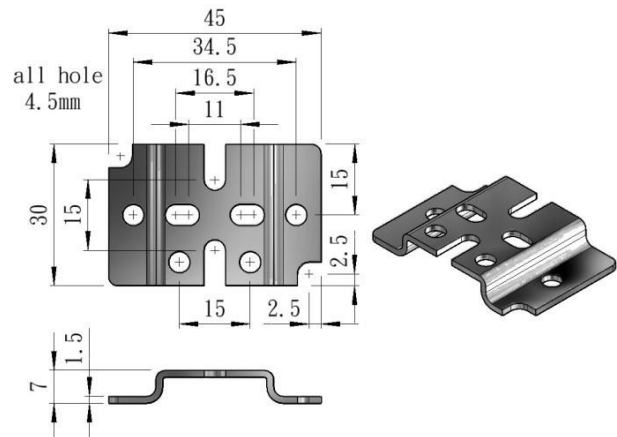
DIMENSIONS/WEIGHT

TYPE	Size:mm								Net Weight:kg		
	L	W			H	C	D	M	#2	#3	#2E
		#2	#3	#2E							
01 (M5)	22	22	30		54	49	15	M3	0.16	0.21	0.48
03 (1/8")					58	51			0.17	0.22	0.49

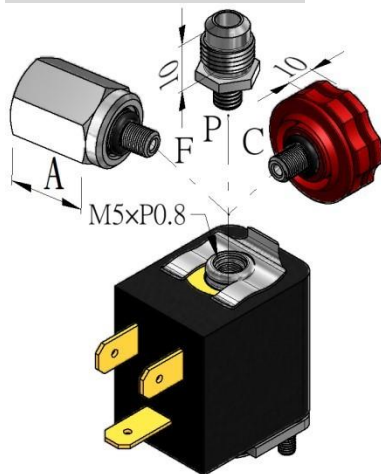
DIMENSIONED DRAWING



OPTION ACCESSORY BRACKET



OPTION ACCESSORY EXHAUST PARTS



F:PS Female Port	A
1/8"	19.0