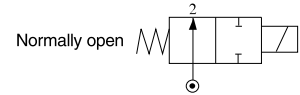


# NOS

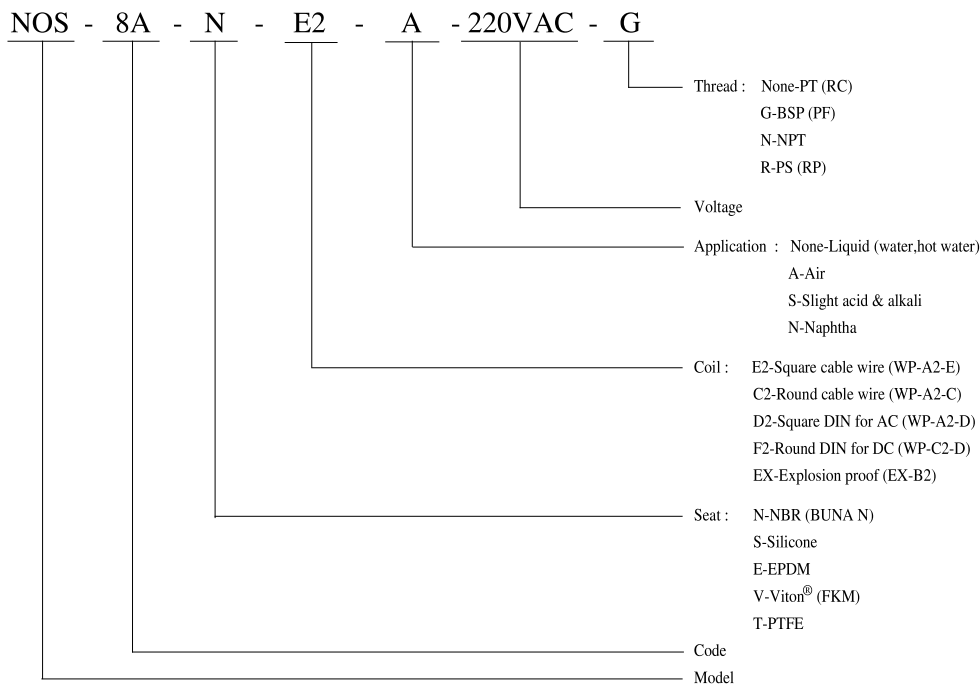
## 2/2-way normally open solenoid valve of stainless steel 316 body for general application



### Direct-operated Type

Model	Port size	Orifice (mm)	CV value	Fluid temp. (°C)	Seat disc	Differential pressure kg/cm <sup>2</sup> (bar)				Wt. (kg)	
						Liquid	Air	Slight acid & alkali	Naphtha (120°C)		
NOS - 8A	1/4 "	3	0.26	-10	NBR	0-10	0-10	0-10	0-7	0.50	
NOS - 8B	1/4 "	4	0.58			Silicone	0-6	0-6	0-6	0-5	0.50
NOS - 8C	1/4 "	5	0.64			EPDM	0-4	0-4	0-4	0-3	0.50
NOS -10A	3/8 "	4	0.58	80 (120)	Viton®	0-6	0-6	0-6	0-5	0.80	
NOS -10B	3/8 "	6	0.79			PTFE	0-2	0-2	0-2	0-1	0.80
NOS -12A	1/2 "	6	0.79			PTFE	0-2	0-2	0-2	0-1	0.95

### How to order



### Notes:

1. In order to prolong operating life, it is better to allocate pipe horizontally and face coil upward.
2. Voltage drop range is within ±10%.
3. Pressure of voltage DC is 70% of voltage AC only.
4. Max. temperature is up to 120°C.
5. Selection of coil refer to page 136~139.
6. PTFE seat and explosion proof type are custom-made.

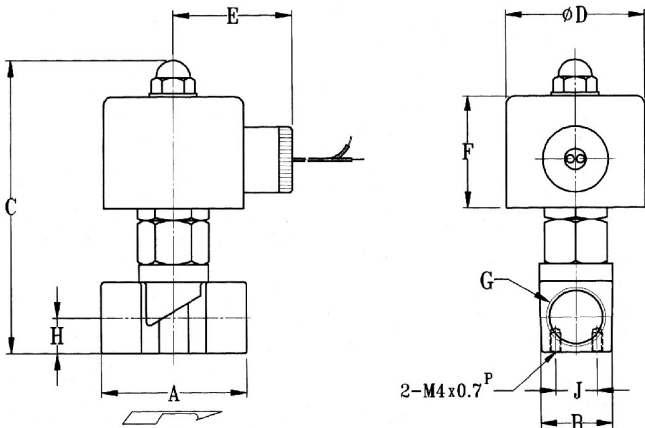
### Inapplicable Fluids:

1. Fluids that have kinematic viscosity over 50 CST.
2. Fluids that will turn to liquid after being heated and become solid after being cooled.
3. Strong corrosive fluids.

# NOS

**2/2-way normally open solenoid valve of stainless steel 316 body for general application**

## ● NOS-8A~12A Specification Chart



## ● Specifications

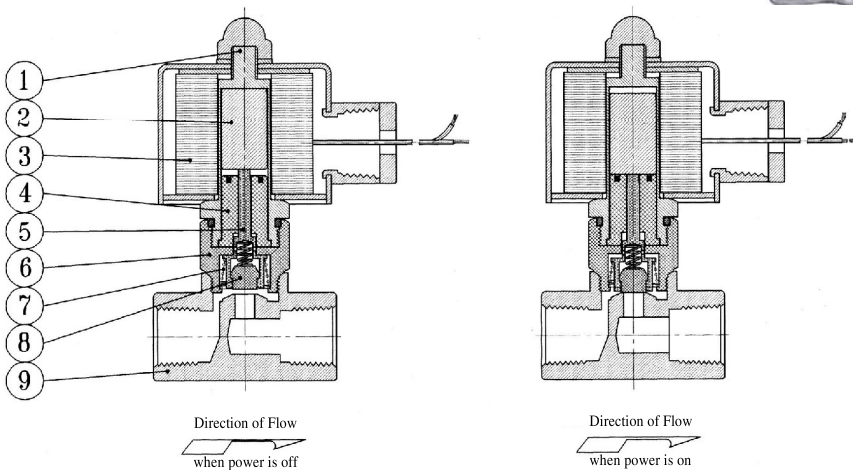
Unit:mm

Item Model	A	B	C	D	E	F	G	H	J	Coil Model
NOS-8A~8B	41	19	108	53	45	43	1/4"	10.5	15	WP-A2-C
				40	40	38				WP-A2-E
				40	65	38				WP-A2-D*
				56	71	38				WP-C2-D*
NOS-10A~10B	50	25	110	53	45	43	3/8"	11.7	15	WP-A2-C
				40	40	38				WP-A2-E
				40	65	38				WP-A2-D*
				56	71	38				WP-C2-D*
NOS-12A	55	27	112	53	45	43	1/2"	13	--	WP-A2-C
				40	40	38				WP-A2-E
				40	65	38				WP-A2-D*
				56	71	38				WP-C2-D*

\* with connector



## ● NOS-8A~12A Operation Chart



## ● Material Table

Item	Article	Material
1	Solenoid Tube	Stainless Steel
2	Slide Core	Stainless Steel
3	Coil	Brass Wire
4	Armature Core	Stainless Steel
5	Operating Spindle	Brass
6	Joint Sleeve	Stainless Steel
7	Spring	Stainless Steel
8	Seat	NBR,Silicone,EPDM, Viton®
9	Valve Body	Stainless Steel