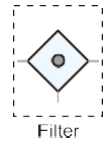


## Symbol



## Features

1. UCMF series effectively removes oil, water, carbon and particle.
2. With 0.01µm glass fiber filter element.
3. High quality control ensures stable running and long life.
4. Convenient to see air quality from pressure indicator, prevent the filter element from clogging.

Note: Please install air filter UF series upstream to extend life of filter element.



## How to order

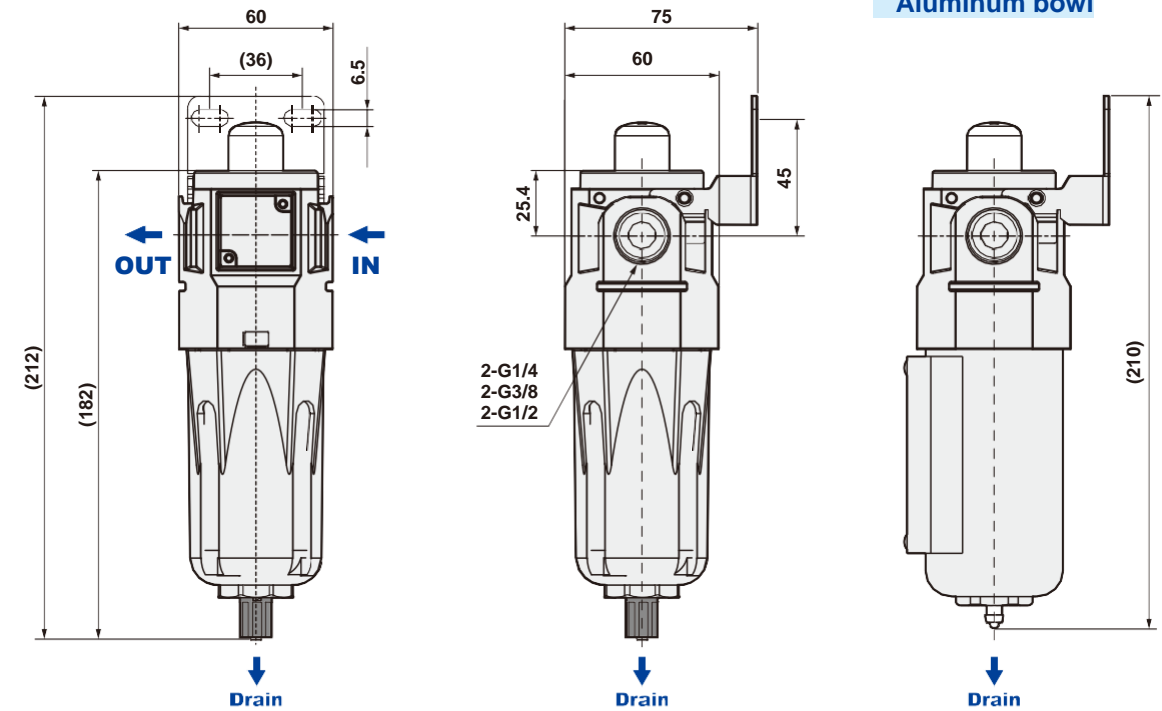
UCMF	Port size	Thread	Filtration	Drain	Mounting	Bowl
02	1/4"	Blank : G	Blank : 0.01µm	Blank : Semi-auto drain	Blank : W/O bracket	Blank : Standard bowl
03	3/8"	N : NPT	L : 0.1µm	H : Manual drain	B : W/I bracket	A : Anti-acid & alkali bowl
04	1/2"	R : Rc	K : 0.01µm Activated charcoal filter element			AL : Aluminum bowl

## Specifications

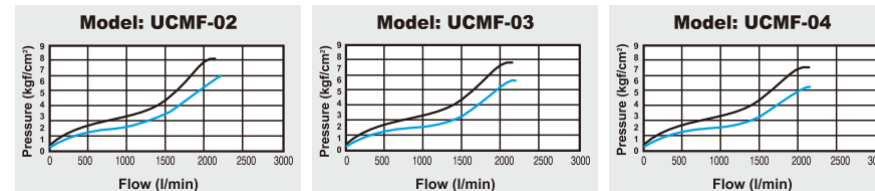
Model	UCMF-02	UCMF-03	UCMF-04
Port size	1/4"	3/8"	1/2"
Fluid	Compressed air		
Body material	Aluminum die-cast		
Bowl material	Polycarbonate (Standard), Anti-acid & alkali bowl (Option), Aluminum bowl (Option)		
Filtration	0.01µm (Option 0.1 µm)		
Operating pressure range	0.5 ~ 10 Bar		
Proof pressure (Standard bowl)	15 Bar		
Max. flow rate l/min (ANR)	2050	2100	2150
Ambient temperature	-10°C ~ 60°C		
Filter bowl capacity	65cc		
Standard drain	Semi-auto drain (Drains below 0.5 Bar)		
Net weight	600g (Al bowl 900g)		
Option	Mounting bracket set		

## Dimensions

### UCMF-02, 03, 04



## Flow chart



## Note:

X axis: Flow (l/min)  
 Y axis: Pressure (kgf/cm<sup>2</sup>)  
 Blue line (P0) = Outlet pressure  
 Black line (P1) = Inlet pressure  
 P1-P0= Pressure range