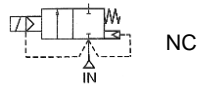


Media: air – water – steam – light oil  
 Pressure range: 0.3 to 10 Bar max  
 Media temperature: -10°C to +180°C Max  
 Ambient temperature: -20°C to +50°C  
 Media viscosity: 50 centistokes max  
 Mounting: upright (+/- 15° from vertical)  
 Opening / Closing 200 mSec Max

# 2/2 Bronze Steam DN32 to DN50 NORMALLY CLOSED 2 WAY SERVO ACTING 0.3 – 10 Bar TYPE MTF5



### PRESSURE

Ø Port PN16	Ø Orifice (mm)	Flow Kv Ltr/ min	Pressure Rating (Bar)ΔP				Part Number
			Min	Max Steam	Max Air/ Water	Max Oil	
DN32	33	314.6	0.3	10	8	7	MT32FSM17 + voltage
DN40	43	429	0.3	10	8	7	MT40FSM17 + voltage
DN50	53	686.4	0.3	10	8	7	MT32FSM17 + voltage

### OPTIONS

IP65 Coil & Connector  
 Flange ANSI150Lb or JIS10K Included +10%

### ELECTRICAL DATA

Voltage (-10% + 10%) Continuous duty 50% 1 Hour Max	Coil	Power Consumption		Insulation class	Enclosure	Electrical Connections
		Inrush	Holding			
~ 24 - 110 - 230 (50 or 60 Hz)	M17	35VA	26VA	N 200°C	IP65 with connector	3 spades DIN43650 DIN40050 VDE0110
= 24 (DC)		19 Watts				

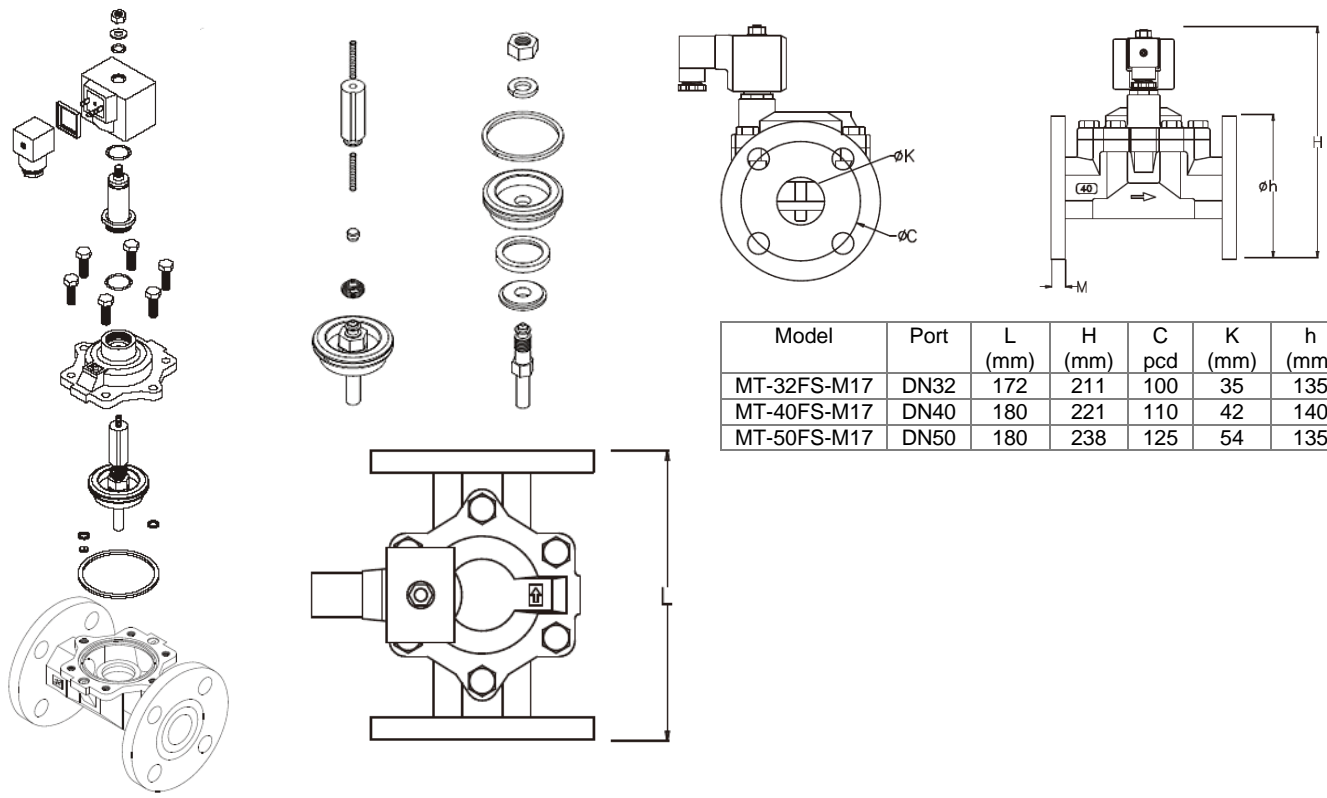
### CONSTRUCTION

Body + flanges: Bronze BC6 (1pc casting)  
 Piston: Stainless steel 303,304, KM31 and Bronze BC6, PTFE  
 Tube: Stainless steel 304 & KM31  
 Seals and gaskets: PTFE & Graphite impregnated PTFE

### REPAIR KIT

Coil	M17 + Voltage
Complete plunger + O' rings	KIT + valve part number

### OVERALL DIMENSIONS



Model	Port	L (mm)	H (mm)	C pcd	K (mm)	h (mm)
MT-32FS-M17	DN32	172	211	100	35	135
MT-40FS-M17	DN40	180	221	110	42	140
MT-50FS-M17	DN50	180	238	125	54	135