

Connector, form A, analogue with EN 175301-803 (ISO 4400)

Housing

Type	one-piece
Color	opaque (milky)
Material	PA6 GF20
Imprint	special; black; top side

Cable gland

Thread	M20 x 1,5 mm
Cable diameter	6-8, 8-10 mm
Color	black
Material	PA6 GF30
Tightening torque	1,8 ± 0,2 Nm

Terminal block

Material	PA6 GF30
Poles	2 + PE
Direction of protecting earth	12 h
Contact distance	18 mm

Contacts **

Material	CuZn, tin-plated
Resistance	< 15 mOhm
Conductor cross-section	0,5 - 1,5 mm ²
Tightening torque	max. 0,3 Nm

Gasket

Material	NBR, black
Type	profile

Fastening screw

Material	steel 4.8, coated with zinc-nickel
Size	M3 x 34,0 mm (with cross recess)
Tightening torque	0,4 ± 0,1 Nm
Sealing washer	n/a

Circuit

Circuit	DC power reducer (PWM) for 2,5 A
Color of LED	yellow
Protecting element	yes, diode
Voltage	12 - 24 V ± 15 %
Current type	DC
Operating current	max. 2,5 A
Protecting against wrong polarity	no

General properties

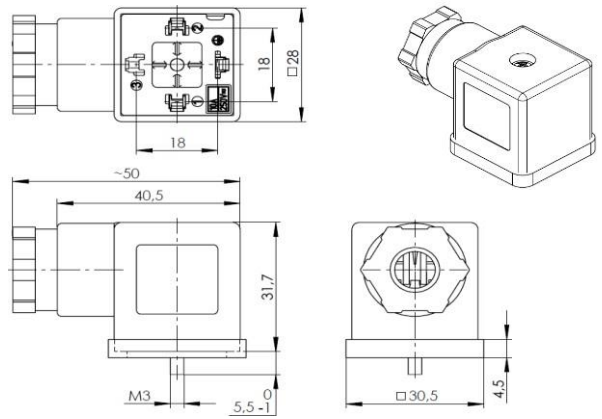
①	Ambient temperature range	-30°C ... +85°C
	RoHS	yes
	CSA approval	n/a
	Protection grade (IEC 60529) *	IP65

Packaging

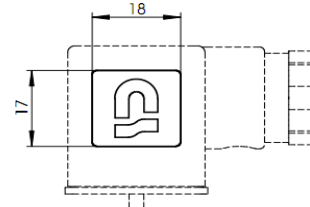
Single packaging. Terminal block and housing are packed in pre-assembled condition. Cable gland components are packed loose. Fastening screw is inserted into the plastic bag. Profile gasket is inserted into the plastic bag. The transparent packaging bag is printed with product informations.

* Must be tested in properly mounted state on the counterpart.

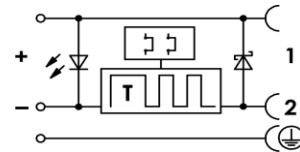
** In order to establish a suitable electrical connection, the use of ferrules for stranded respectively fine-stranded conductors is mandatory. Be aware that the conductor cross-section affects the maximum current-load capacity.



Logo

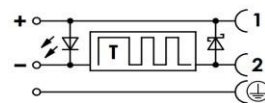



Circuit diagram



Imprint

2-1 Jumper	V _{dc} =12-24V
00 20%	I _{max} =2,5A
01 35%	T=150ms
10 50%	f=2kHz
11 65%	



				Zulässige Abweichung für Maße ohne Toleranzangabe Unless otherwise specified tolerances	Format/Size: A4	Maßstab/Scale:	Gewicht/Weight:
				DIN ISO 2768-v	Werkstoff: Material:		
				Schutzvermerk beachten Observe protection note ISO 16016	Benennung: Title:		
1	31776	10.01.2023	BKI	Connector field att. A 44Fy			
Ind Rev	Änderung-Nr. Change no.	Datum Date	Name By	Ident. - Nr.: 611-201-1321		Freigabe-Nr.: Approval no.: 31651	Blatt: Sheet: 1
Geprüft: 10.01.2023 Checked: JONAS							
Erstellt: 10.10.2022 Created: KISS							
				Ersatz für/Replacement for:			