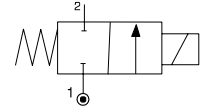


GAB 2/2-way solenoid valve of forged brass body /sub-base mounting for general application

Direct-operated sub-base mounting Type

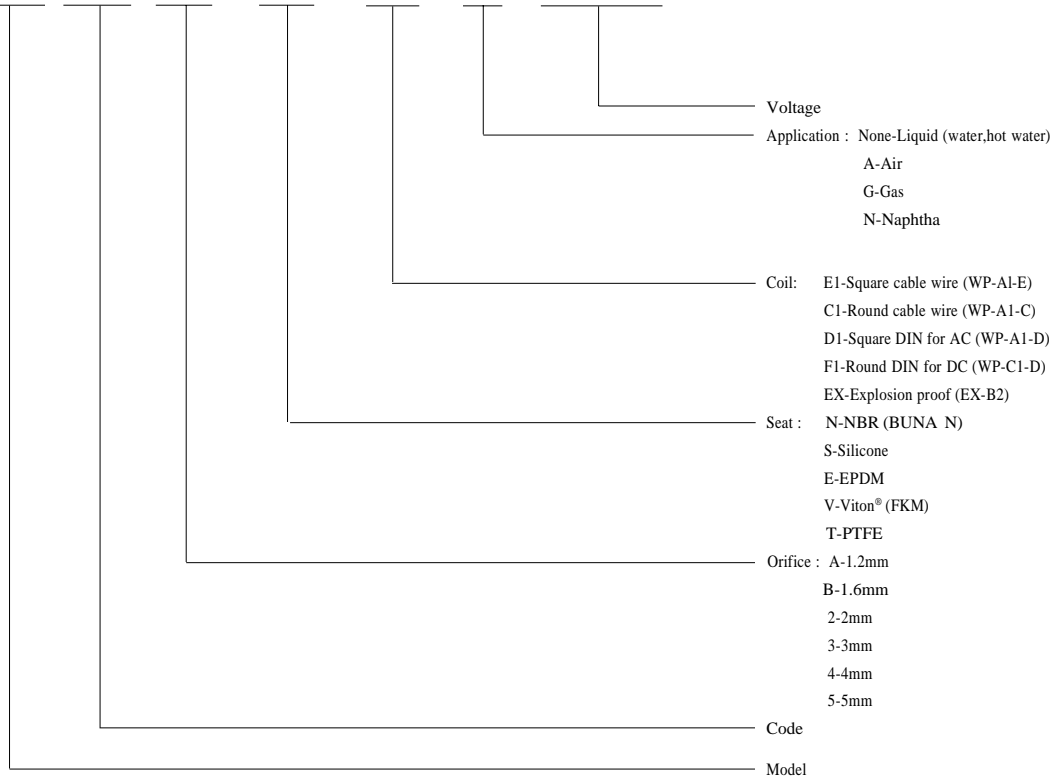
Normally closed



Model	Orifice (mm)	CV value	Fluid temp. (°C)	Seat disc	Differential pressure kg/cm ² (bar)				Wt. (kg)
					Liquid	Air	Gas	Naphtha (120°C)	
GAB-312-A	1.2	0.06	-10	NBR	0-50	0-50	0-50	0-50	0.43
GAB-312-B	1.6	0.09		Viton*	0-30	0-30	0-30	0-30	0.43
GAB-312-2	2.0	0.11		∫	Silicone	0-15	0-15	0-15	0-15
GAB-312-3	3.0	0.26	PTFE		0-10	0-10	0-10	0-10	0.43
GAB-312-4	4.0	0.58	80 (120)	EPDM	0-6	0-6	0-6	0-6	0.43
GAB-312-5	5.0	0.64			0-3	0-3	0-3	0-3	0.43

How to order

GAB - 312 - A - N - E1 - A - 220VAC



Notes:

1. Voltage drop range is within ±10%.
2. Pressure of voltage DC is 70% of voltage AC only.
3. Selection of coil refer to page 136~139.

Inapplicable Fluids:

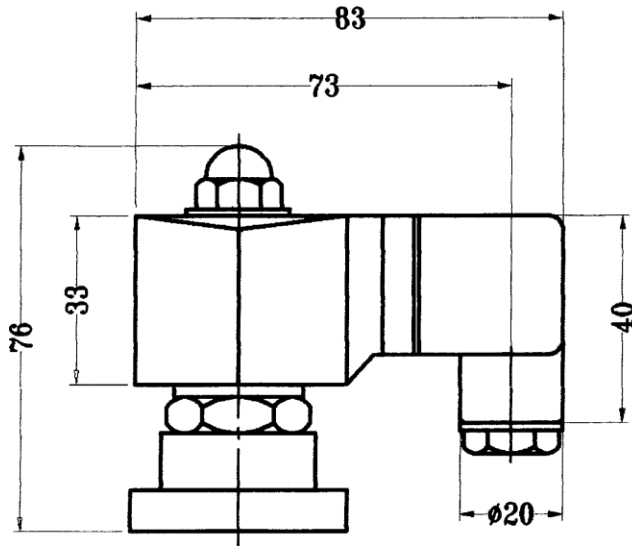
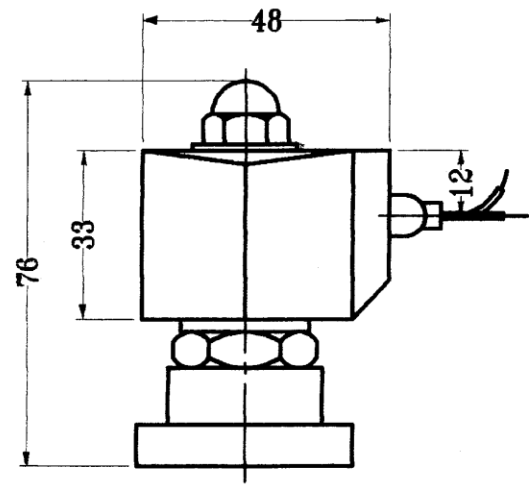
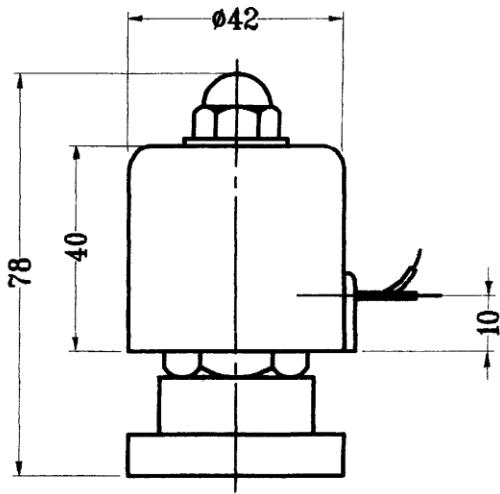
1. Fluids that have kinematic viscosity over 50 CST.
2. Fluids that will turn to liquid after being heated and become solid after being cooled.
3. Corrosive fluids.

GAB

2/2-way solenoid valve of forged brass body
/sub-base mounting for general application

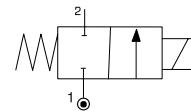
● **GAB-312-A~5 Contour Specification Chart**

Unit:mm



GAB 2/2-way solenoid valve of forged brass body /sub-base mounting for general application

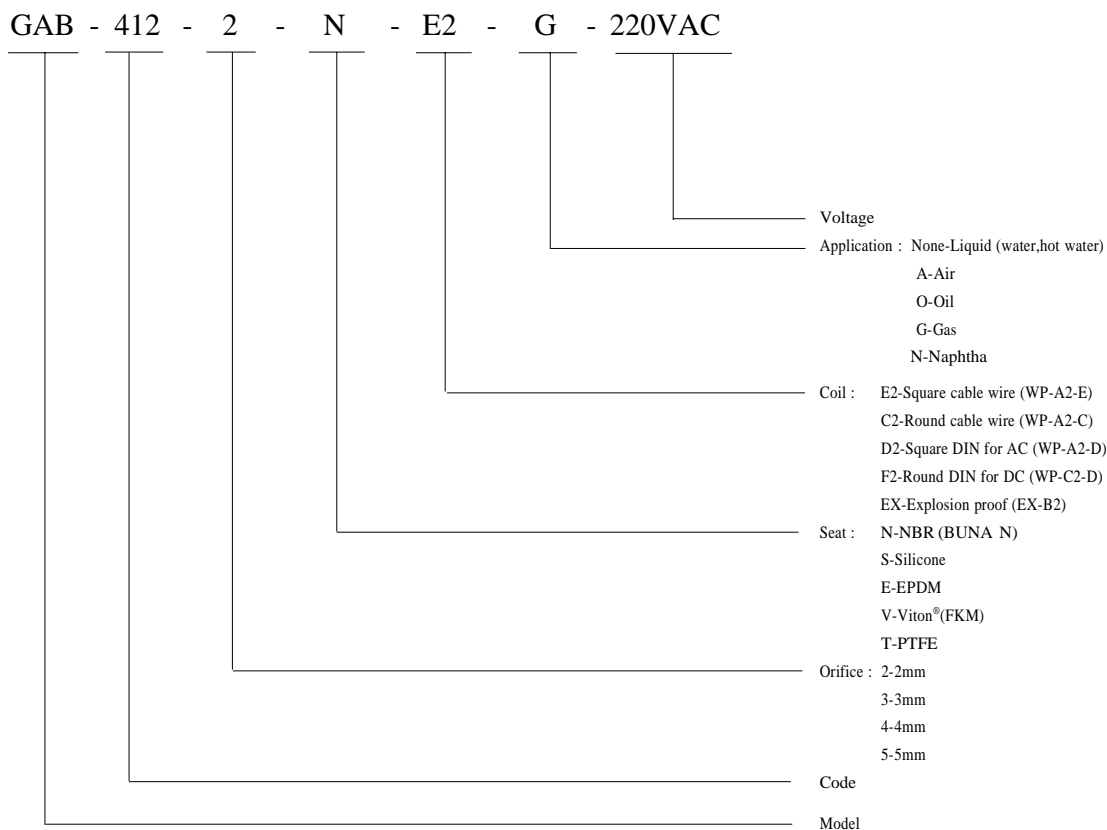
Normally closed



Direct-operated sub-base mounting Type

Model	Orifice (mm)	CV value	Fluid temp. (°C)	Seat disc	Differential pressure kg/cm ² (bar)				Wt. (kg)
					Liquid	Air	Gas	Naphtha (120°C)	
GAB-412-2	2.0	0.11	-10	NBR	0-25	0-25	0-25	0-25	0.64
GAB-412-3	3.0	0.26	80 (120)	Viton®	0-15	0-15	0-15	0-15	0.64
GAB-412-4	4.0	0.58		Silicone	0-10	0-10	0-10	0-10	0.64
GAB-412-5	5.0	0.64		PTFE	0-6	0-6	0-6	0-6	0.64
				EPDM	0-6	0-6	0-6	0-6	0.64

How to order



Notes:

1. Voltage drop range is within ±10%.
2. Pressure of voltage DC is 70% of voltage AC only.
3. Max. temperature is up to 120°C.
4. Selection of coil refer to page 136~139.

Inapplicable Fluids:

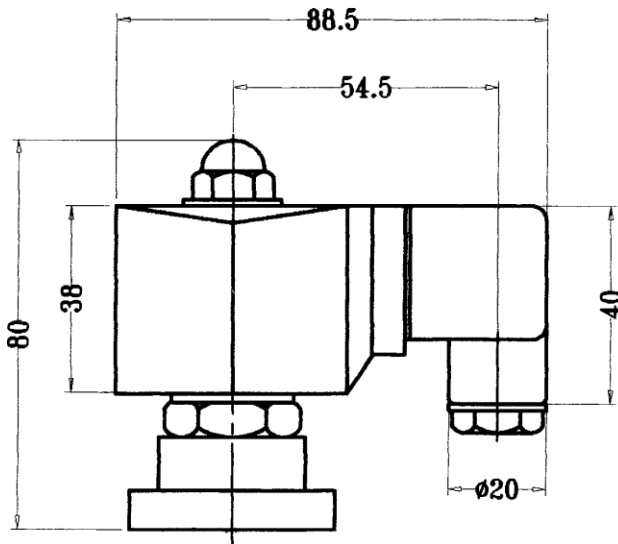
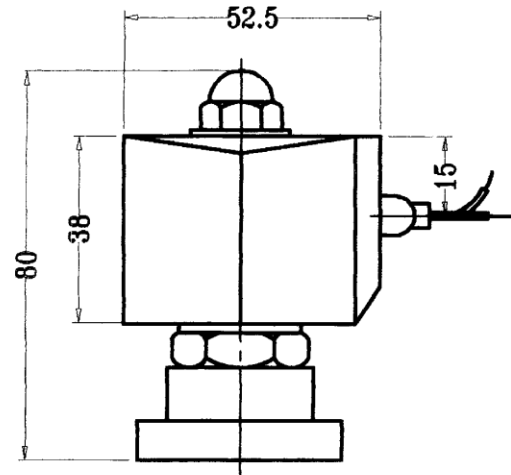
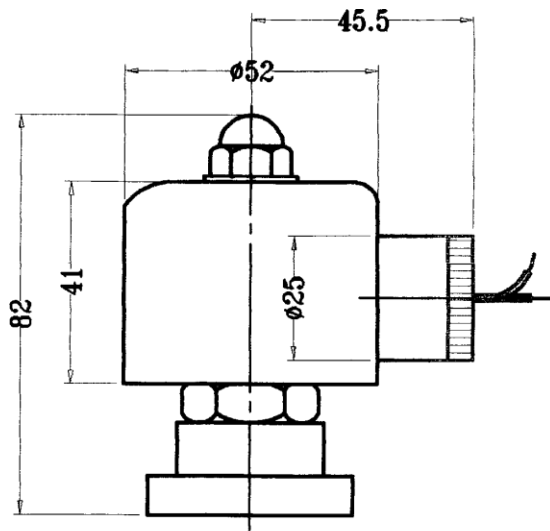
1. Fluids that have kinematic viscosity over 50 CST.
2. Fluids that will turn to liquid after being heated and become solid after being cooled.
3. Corrosive fluids.

GAB

2/2-way solenoid valve of forged brass body
/sub-base mounting for general application

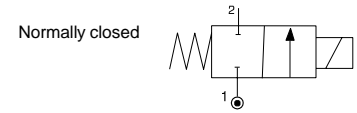
● GAB-412-2~5 Contour Specification Chart

Unit:mm



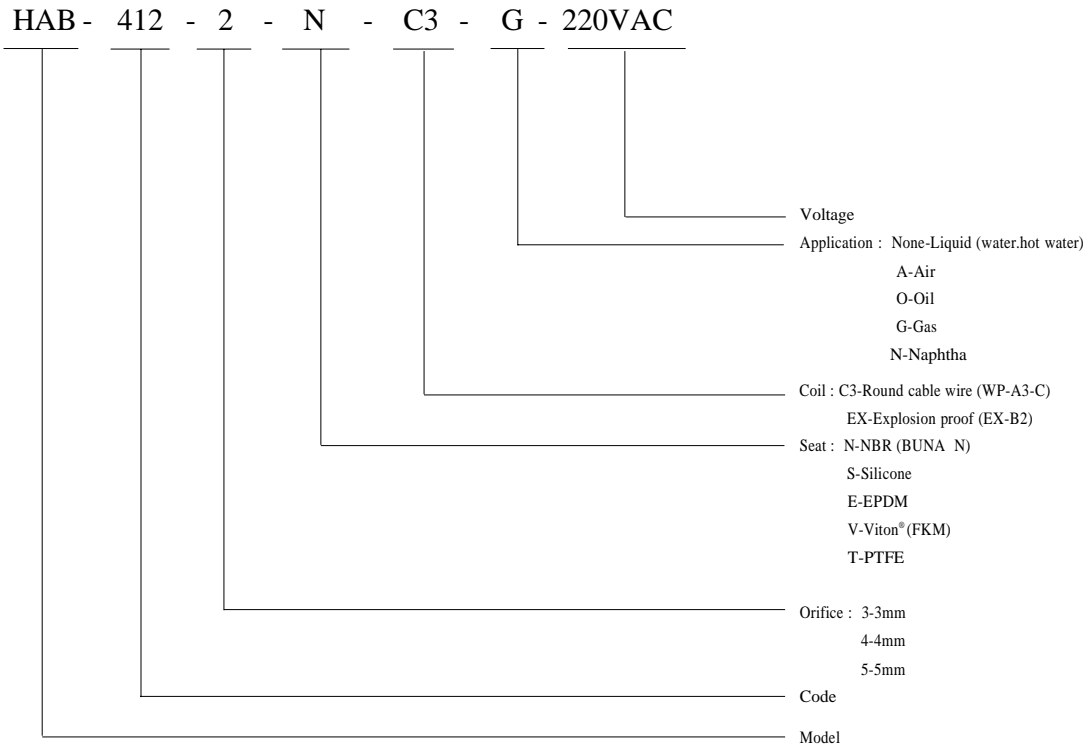
HAB 2/2-way solenoid valve of forged brass body /sub-base mounting for general application

Direct-operated sub-base mounting Type



Model	Orifice (mm)	CV value	Fluid temp. (°C)	Seat disc	Differential pressure kg/cm ² (bar)				Wt. (kg)
					Liquid	Air	Gas	Naphtha (120°C)	
HAB-412-3	3.0	0.26	-10	NBR Viton®	0-30	0-30	0-30	0-30	0.64
HAB-412-4	4.0	0.58	∫ 80 (120)	Silicone PTFE	0-20	0-20	0-20	0-20	0.64
HAB-412-5	5.0	0.64		EPDM	0-15	0-15	0-15	0-15	0.64

How to order



Notes:

1. Voltage drop range is within $\pm 10\%$.
2. Pressure of voltage DC is 70% of voltage AC only.
3. Selection of coil refer to page 136~139.

Inapplicable Fluids:

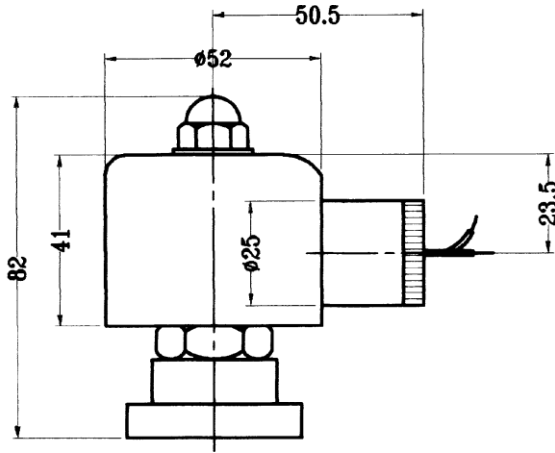
1. Fluids that have kinematic viscosity over 50 CST.
2. Fluids that will turn to liquid after being heated and become solid after being cooled.
3. Corrosive fluids.

HAB

2/2-way solenoid valve of forged brass body
/sub-base mounting for general application

● HAB-412-3~5 Contour Specification Chart

Unit:mm



● Bottom Fixing Specification Chart

Unit:mm

