

## Specification

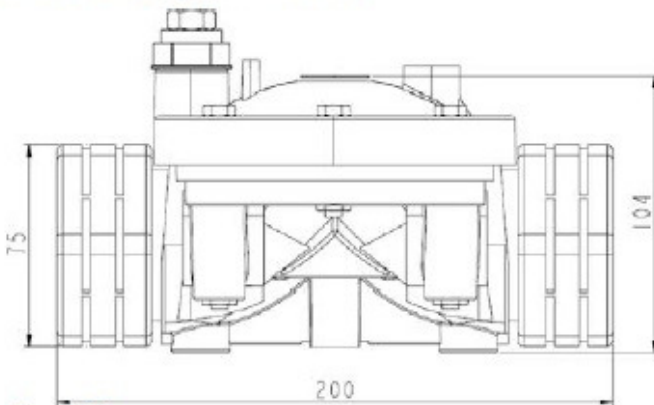
Port Size	2-inch, DN50
Port Connection	Female Thread Connected, BSPT
Body Material	Glass-fiber Reinforced PA66

## Operation Data

Max. Flow Range	m <sup>3</sup> /h	40
	gal/min(US)	176
Max. Working Pressure	bar	10
	psi	145
Min. Pressure	bar	0.69
	psi	10
Max. Temperature	°C	60
	°F	140



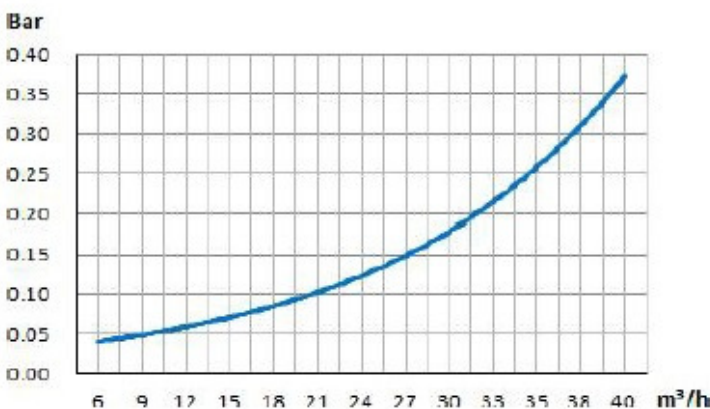
## Dimensions (in millimetre)



## Product Uses

- Irrigation systems (Field Valves)
- Underground irrigation systems
- Sewage systems
- Water supply systems
- Municipal water systems
- Agriculture
- Landscaping
- Green Houses
- Filtration
- Sprinkler systems

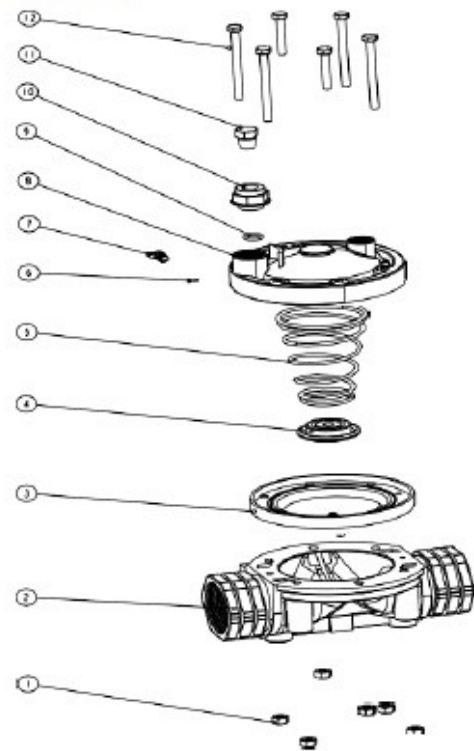
## Head Loss Chart: 3-way Electric Valve



<< Relationship between Flow and Head Loss >>

Horizontal Axis Q : Flow rate, 1m<sup>3</sup>/h=4.4gpm(US)=3.67gpm(UK);  
Vertical Axis ΔH : Head loss, 1Bar=14.5Psi=0.1mwc.

## Components



No.	Parts	Material
1	Hexagonal Nuts x 6	304 SST
2	Valve Body	Reinforced PA66
3	Diaphragm	EPDM
4	Spring Seat	POM
5	Spring	304 SST
6	Latch	Brass
7	Manual Override Switch	POM
8	Valve Bonnet	Reinforced PA66
9	O-Ring	NBR
10	Adapter	Reinforced PA66
11	Screw Plug	Reinforced PA66
12	Bolts x 6	304 SST